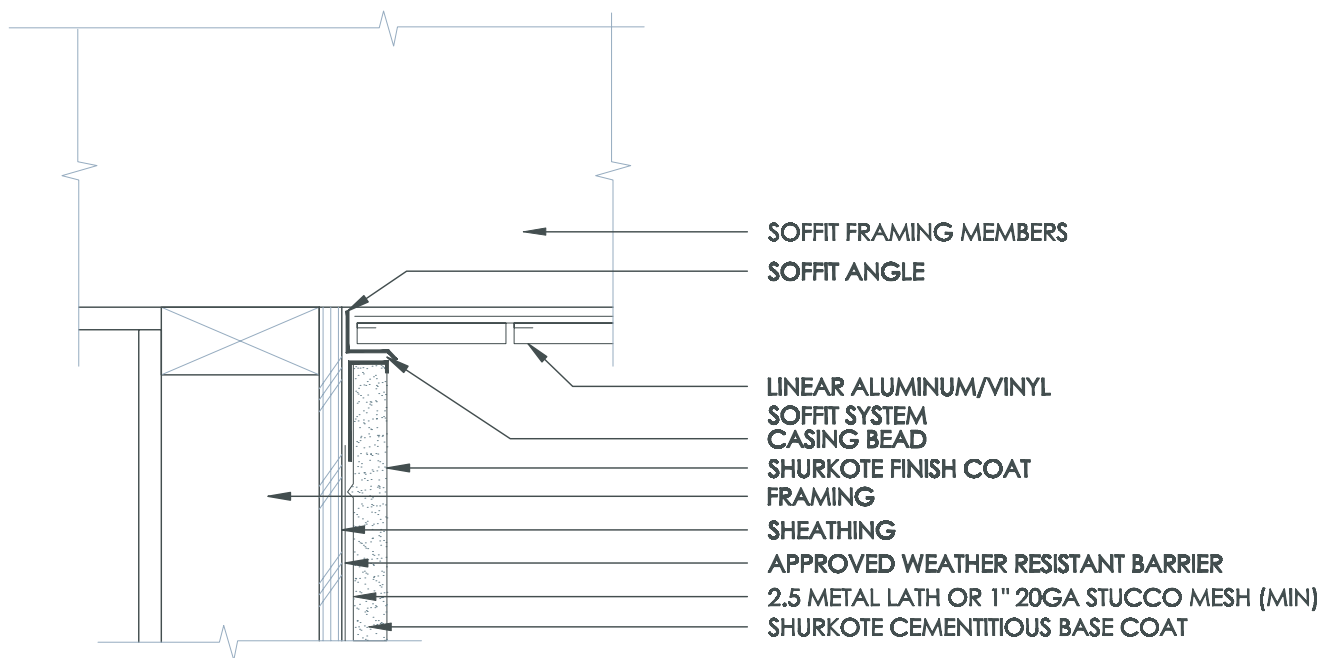


# Typical Linear Soffit



HCS 3.6



September 2009



**UltraKote Products, Inc.**  
327 South 27th Avenue  
Phoenix, Arizona 85009  
Phone: 800.224.2344  
Fax: 602.272.6445  
[www.ultrakoteproducts.com](http://www.ultrakoteproducts.com)