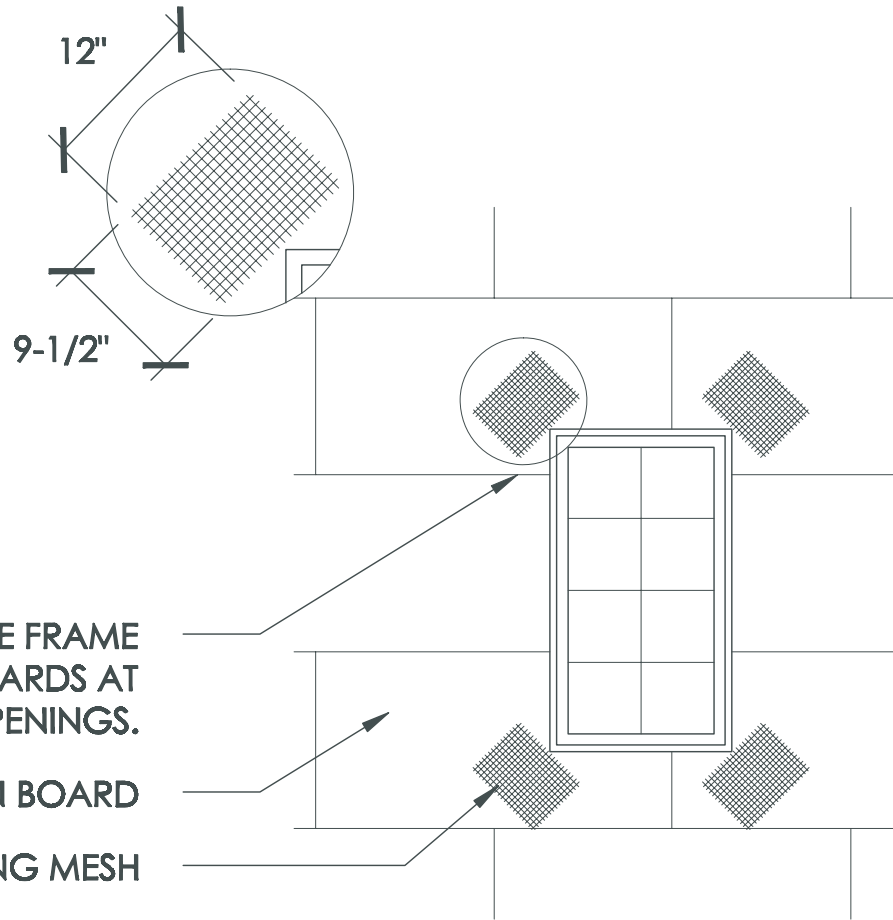


Typical Reinforcing Mesh at Openings



WM 2.1



L-CUT OR PICTURE FRAME
INSULATION BOARDS AT
CORNERS OF OPENINGS.

EPS INSULATION BOARD

SHURKOTE REINFORCING MESH

September 2009



UltraKote Products, Inc.
327 South 27th Avenue
Phoenix, Arizona 85009
Phone: 800.224.2344
Fax: 602.272.6445
www.ultrakoteproducts.com