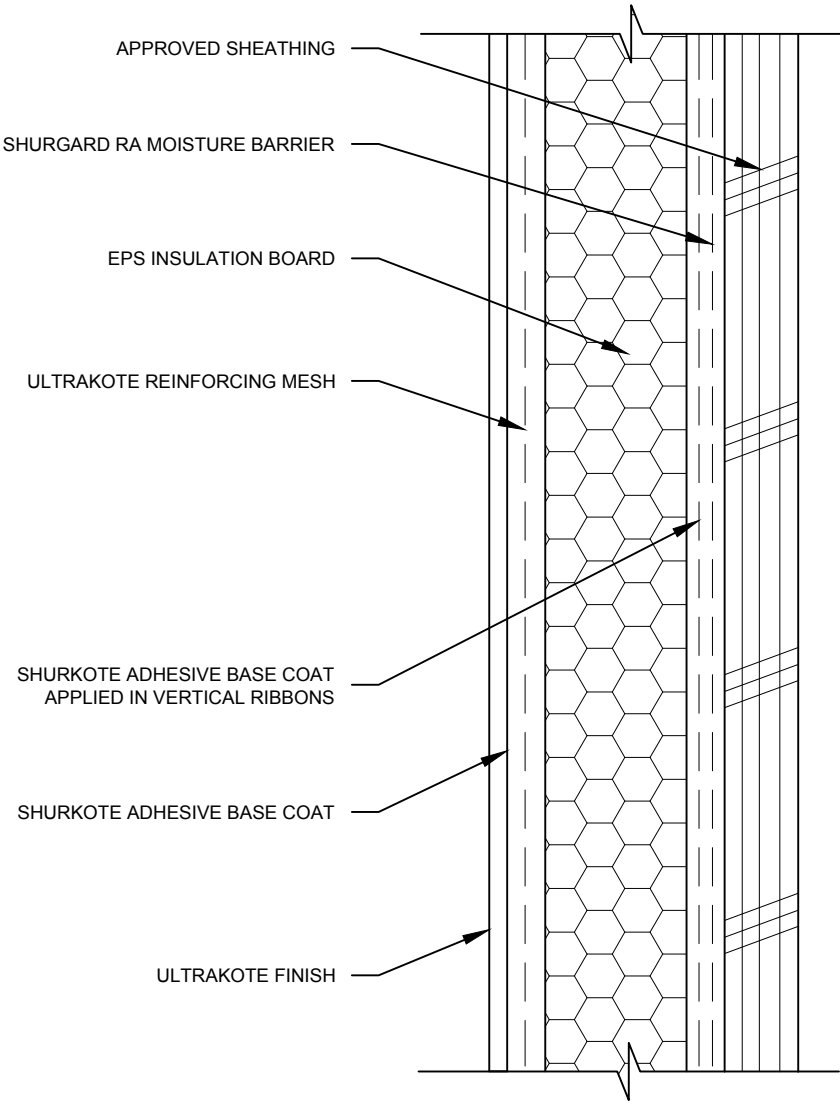
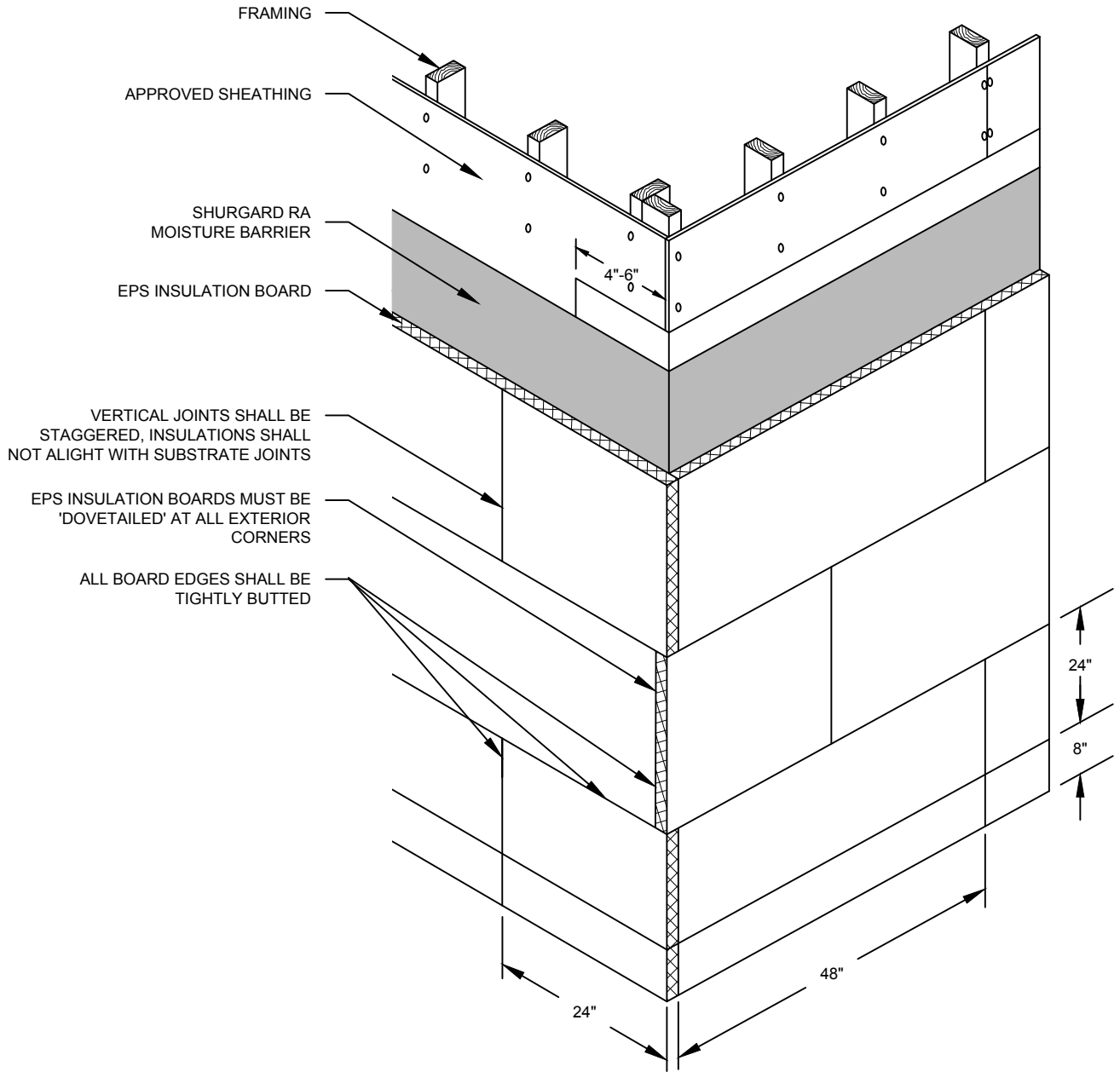


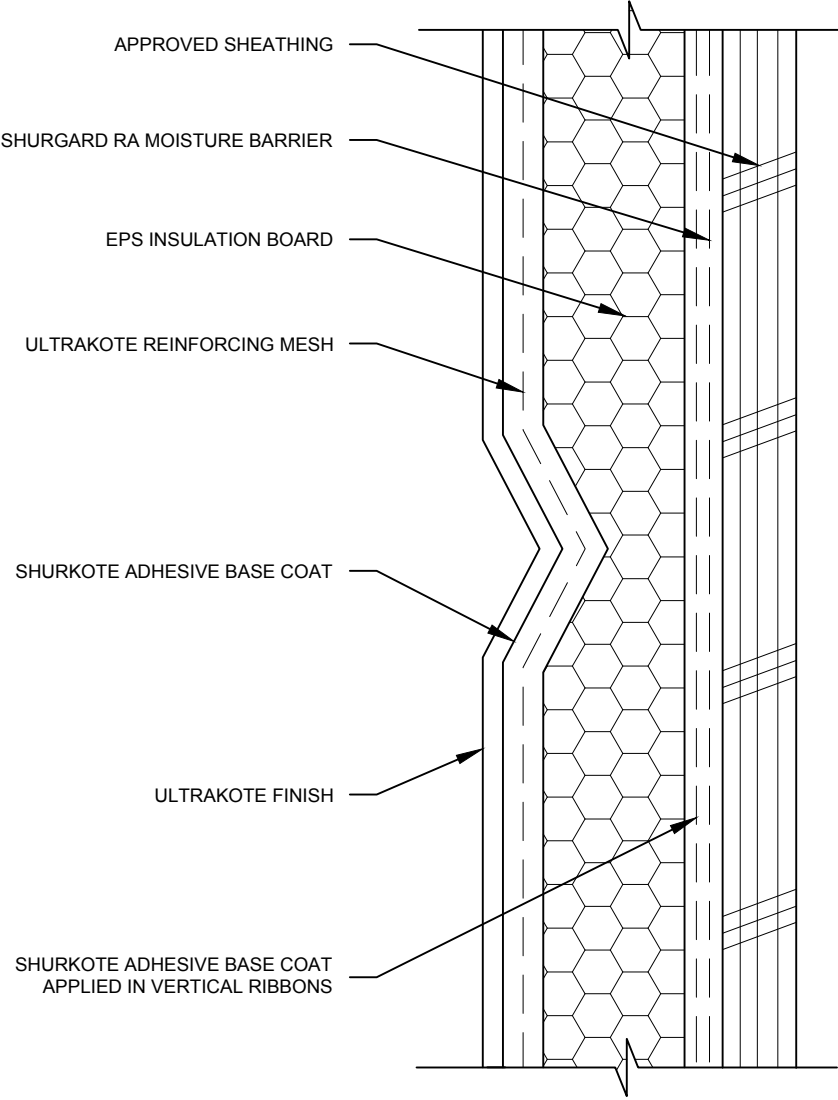
# TYPICAL CROSS SECTION



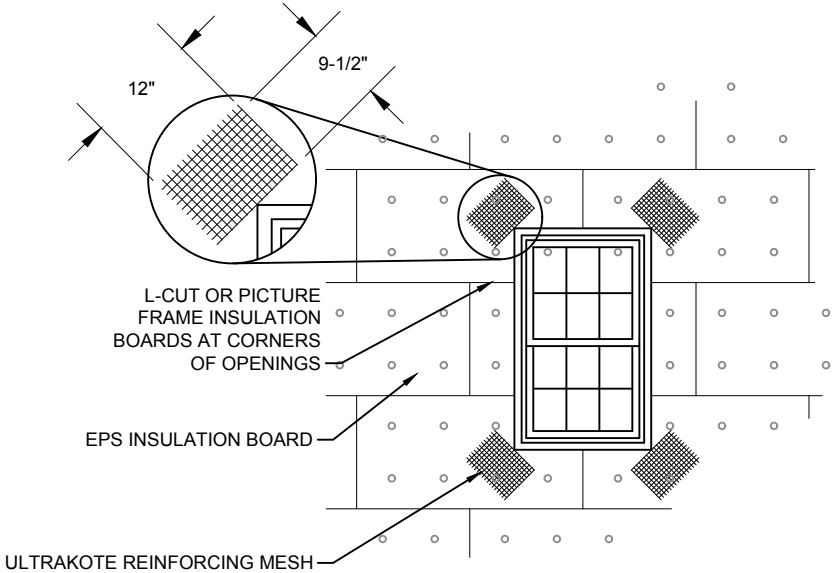
# TYPICAL INSULATION BOARD LAYOUT



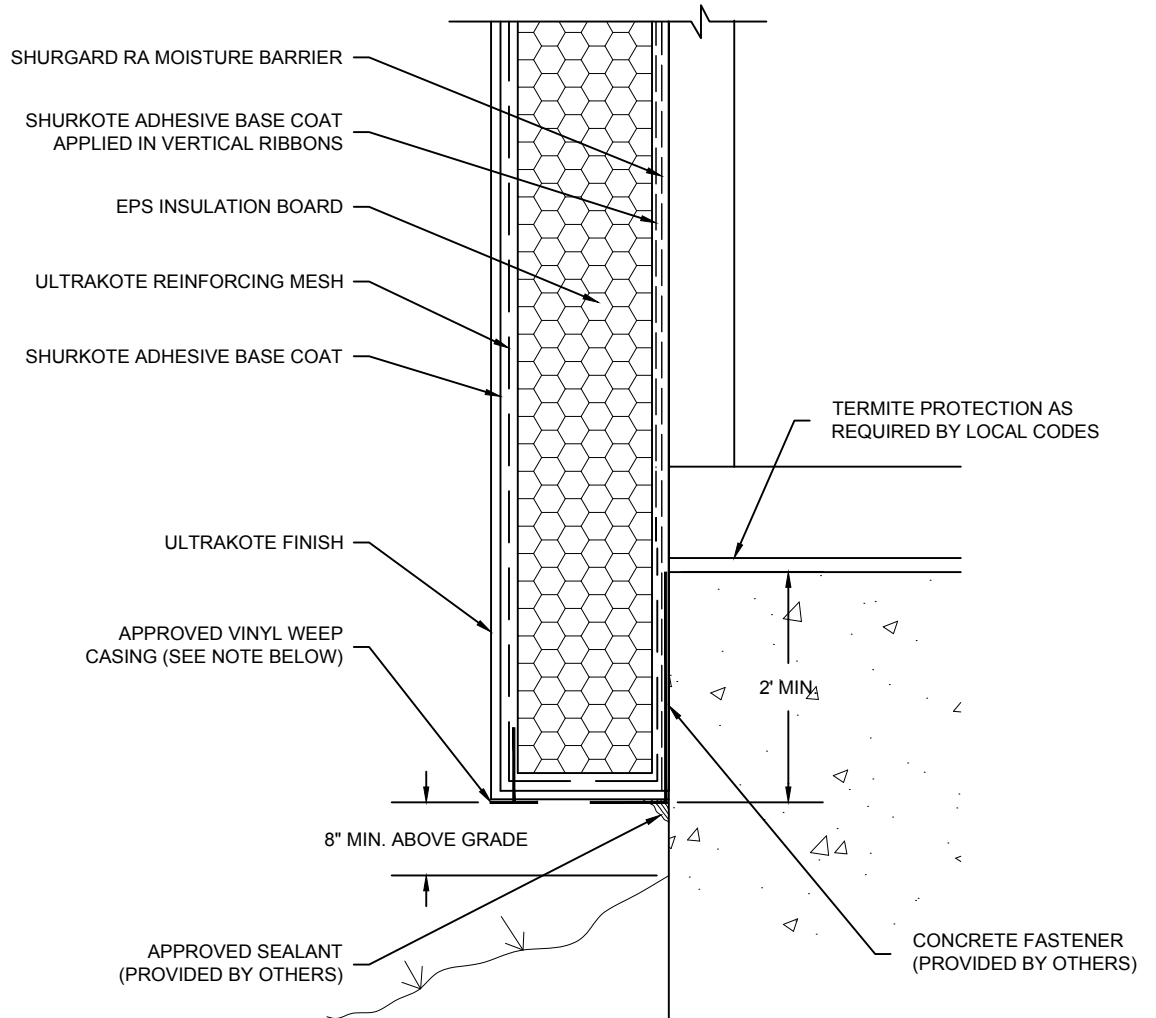
# TYPICAL AESTHETIC GROOVE



# TYPICAL REINFORCING MESH AT OPENINGS

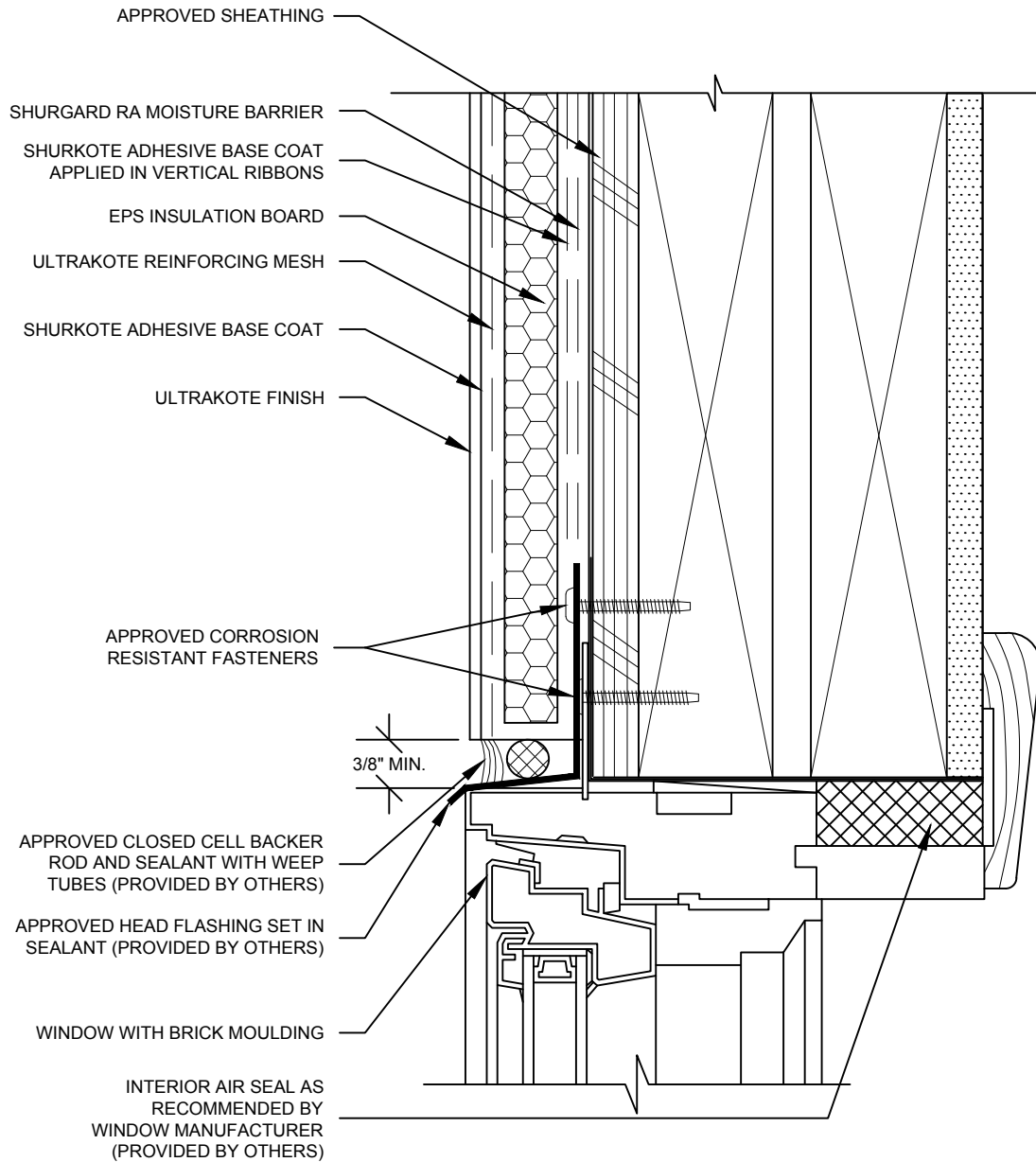


# TYPICAL TERMINATION AT FOUNDATION LINE



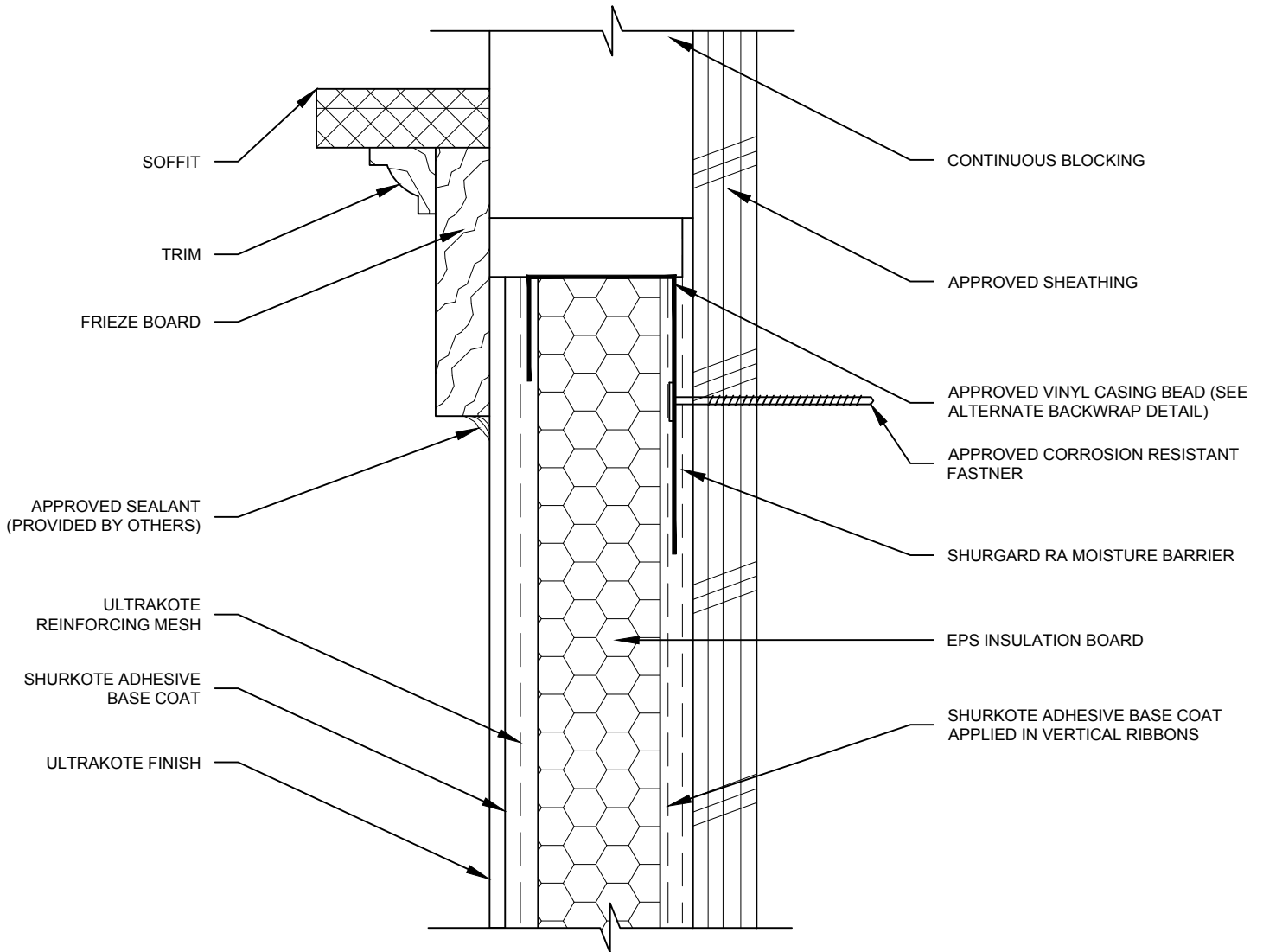
NOTE:  
MAINTAIN  $\frac{1}{8}$ " SPACING BETWEEN BEVELED  
INSULATION AND WEEP CASING BEAD

# ALTERNATE BACKWRAP

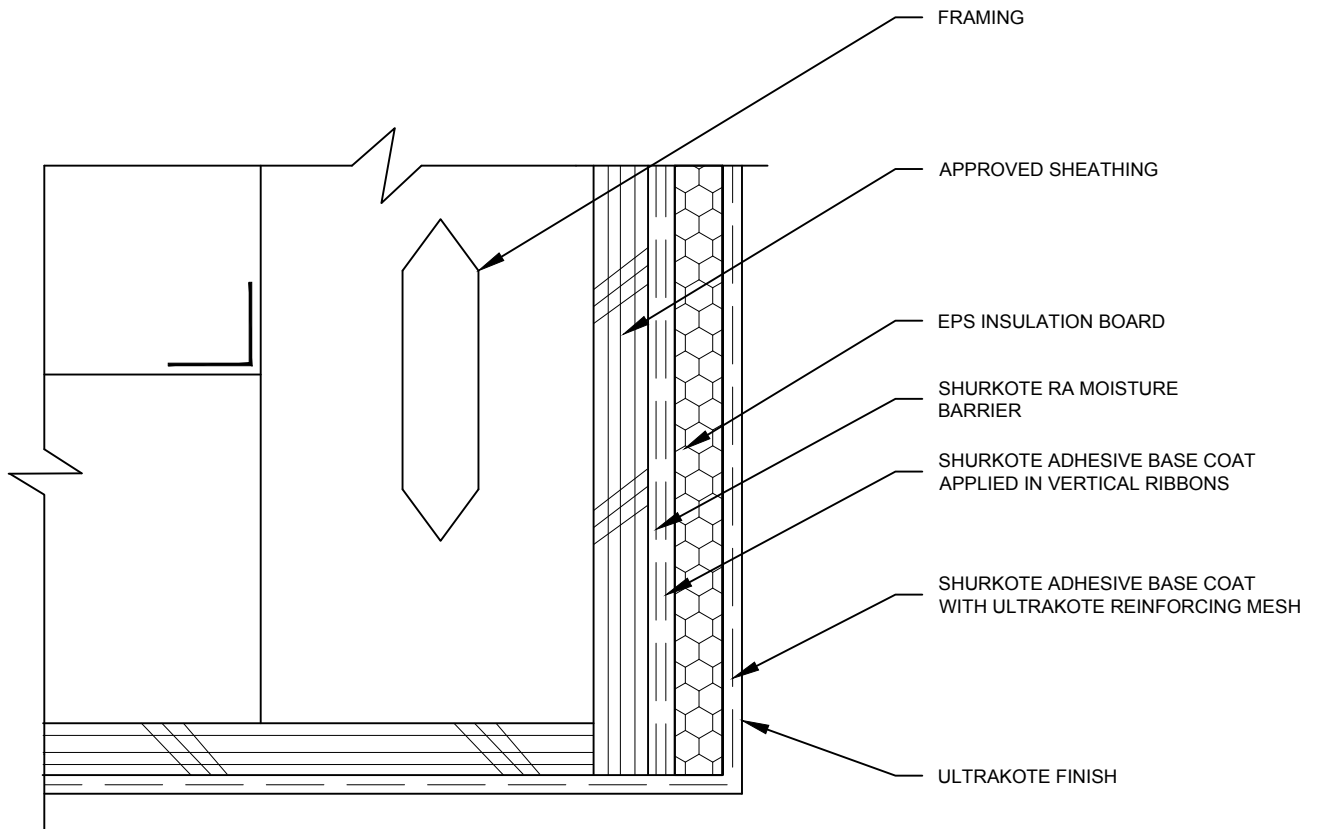


# TYPICAL WALL TO SOFFIT

WM-RA 2.4

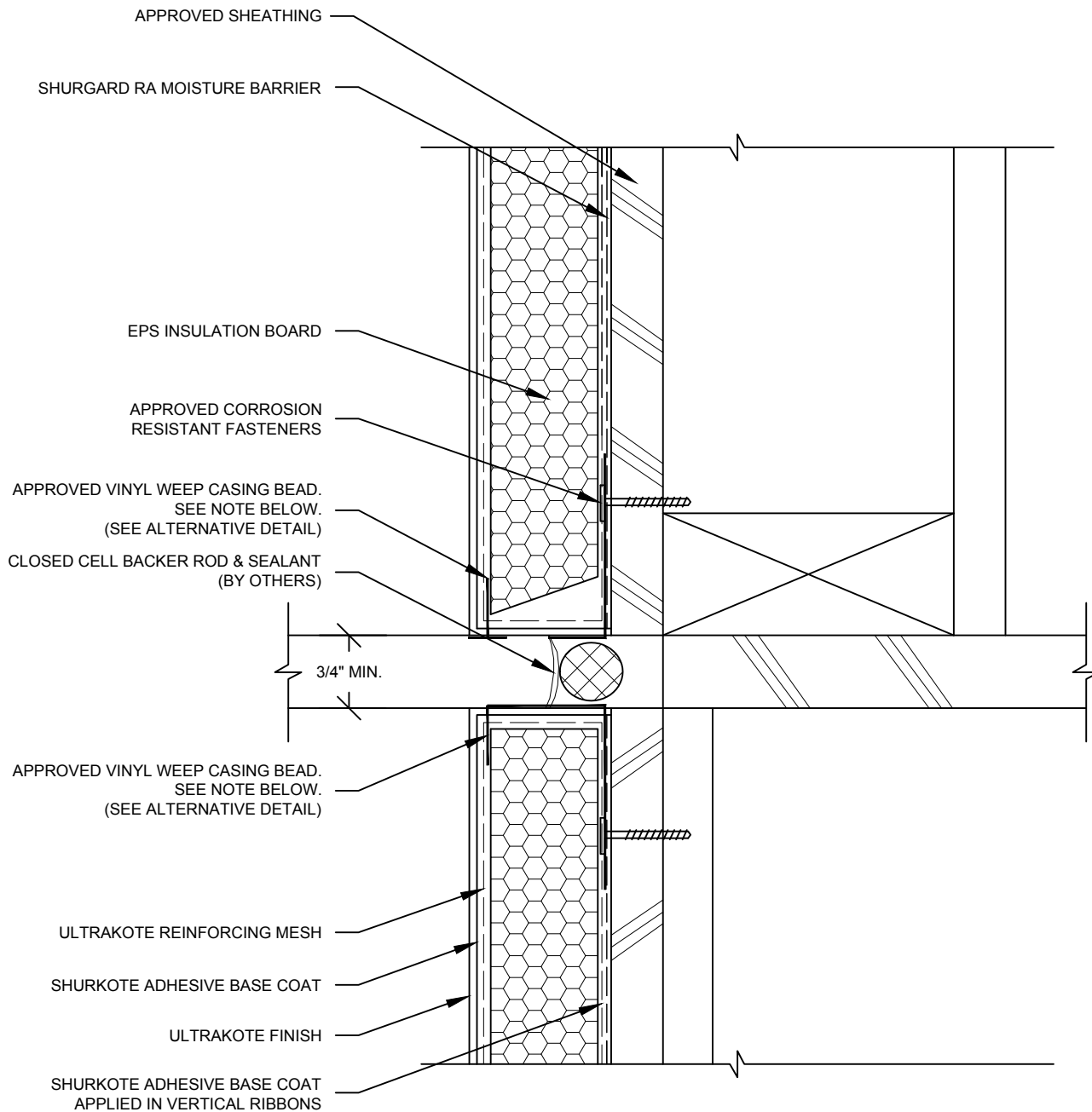


# TYPICAL DIRECT APPLIED SOFFIT RETURN



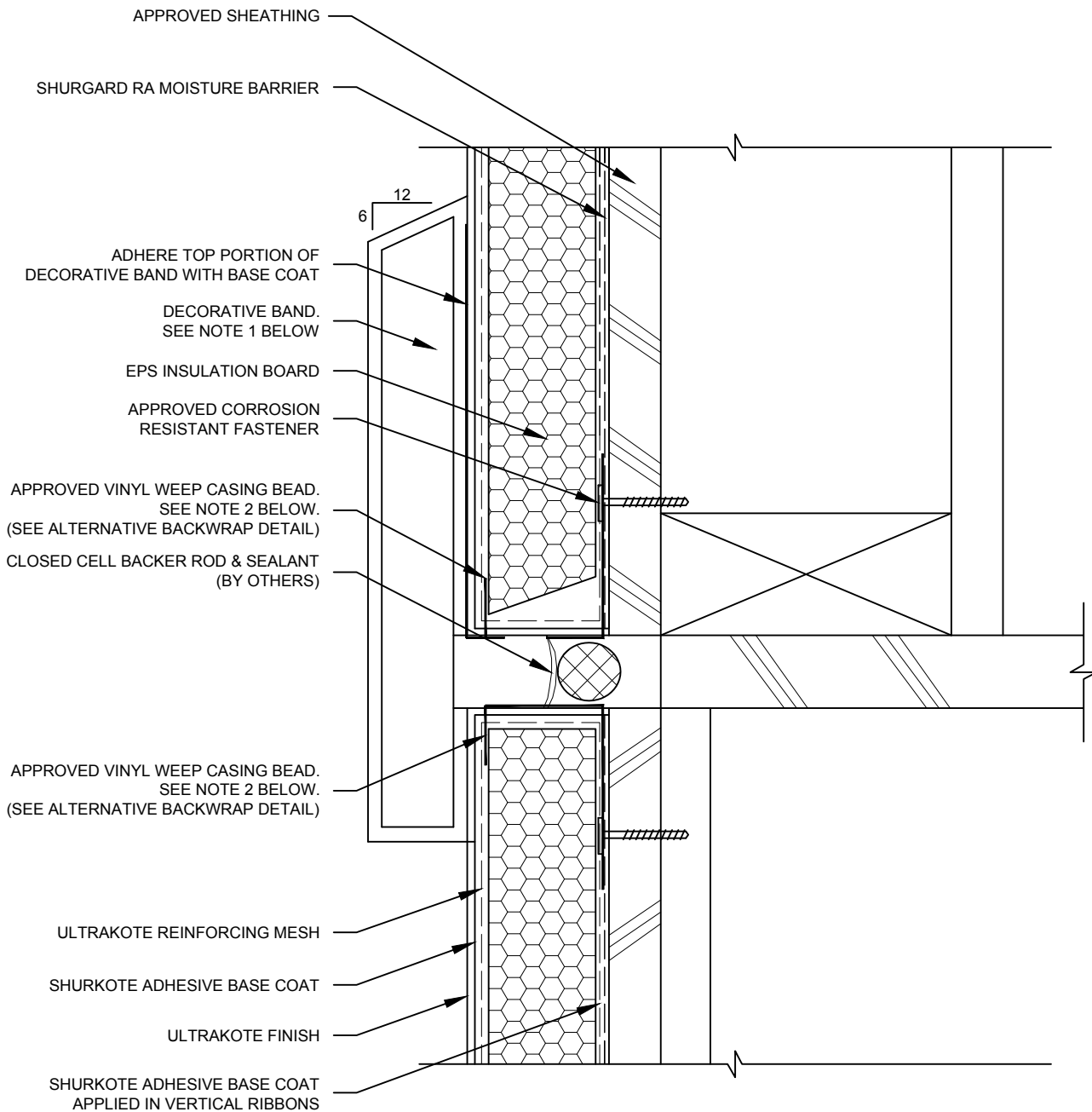


# CONTROL JOINT AT FLOOR LINE IN WOOD FRAME CONST.



NOTE: MAINTAIN  $\frac{1}{8}$ " SPACE BETWEEN BEVELED INSULATION AND CASING BEAD

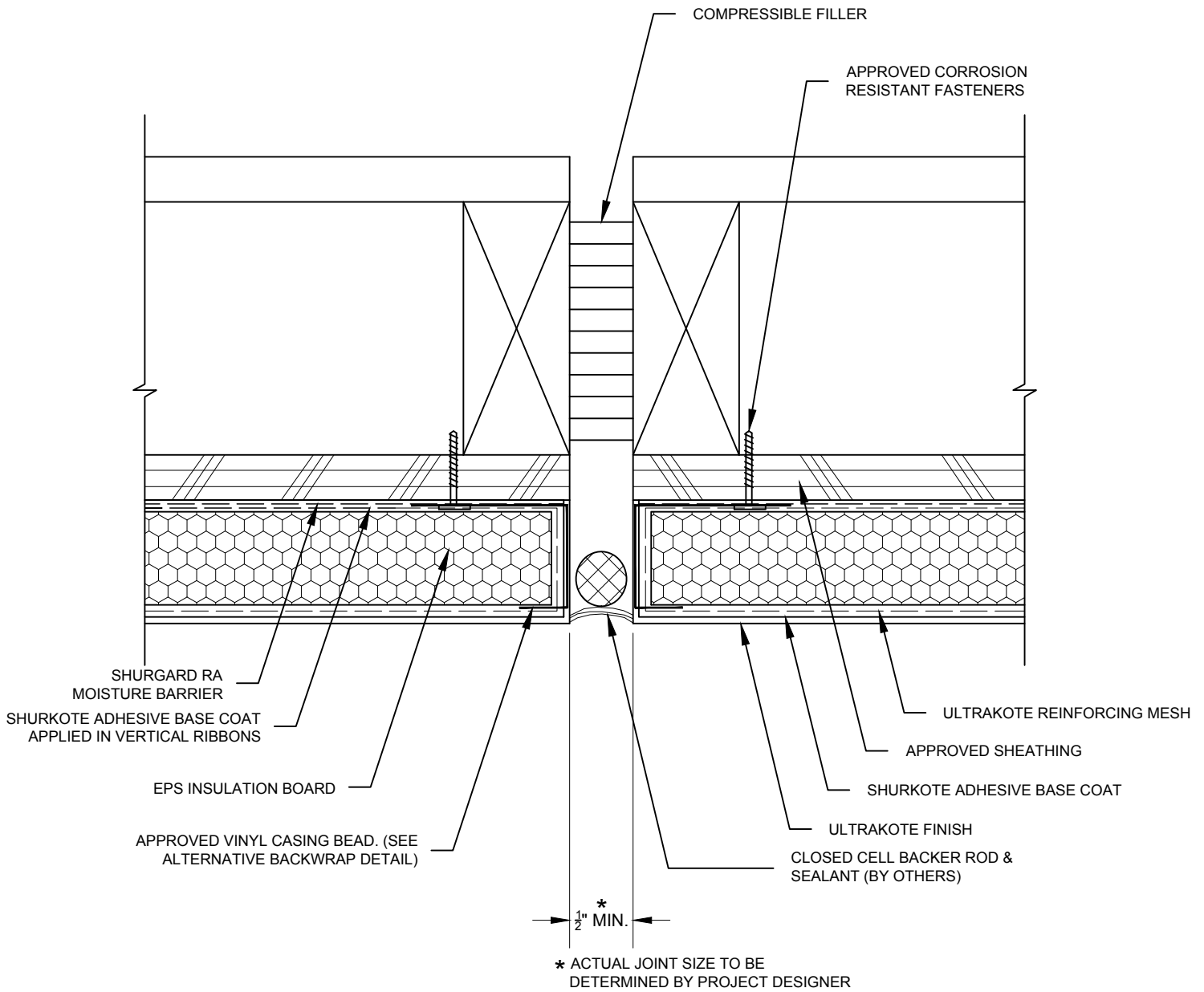
# CONTROL JOINT AT FLOOR LINE IN WOOD FRAME WITH DECORATIVE BAND



**NOTE:**

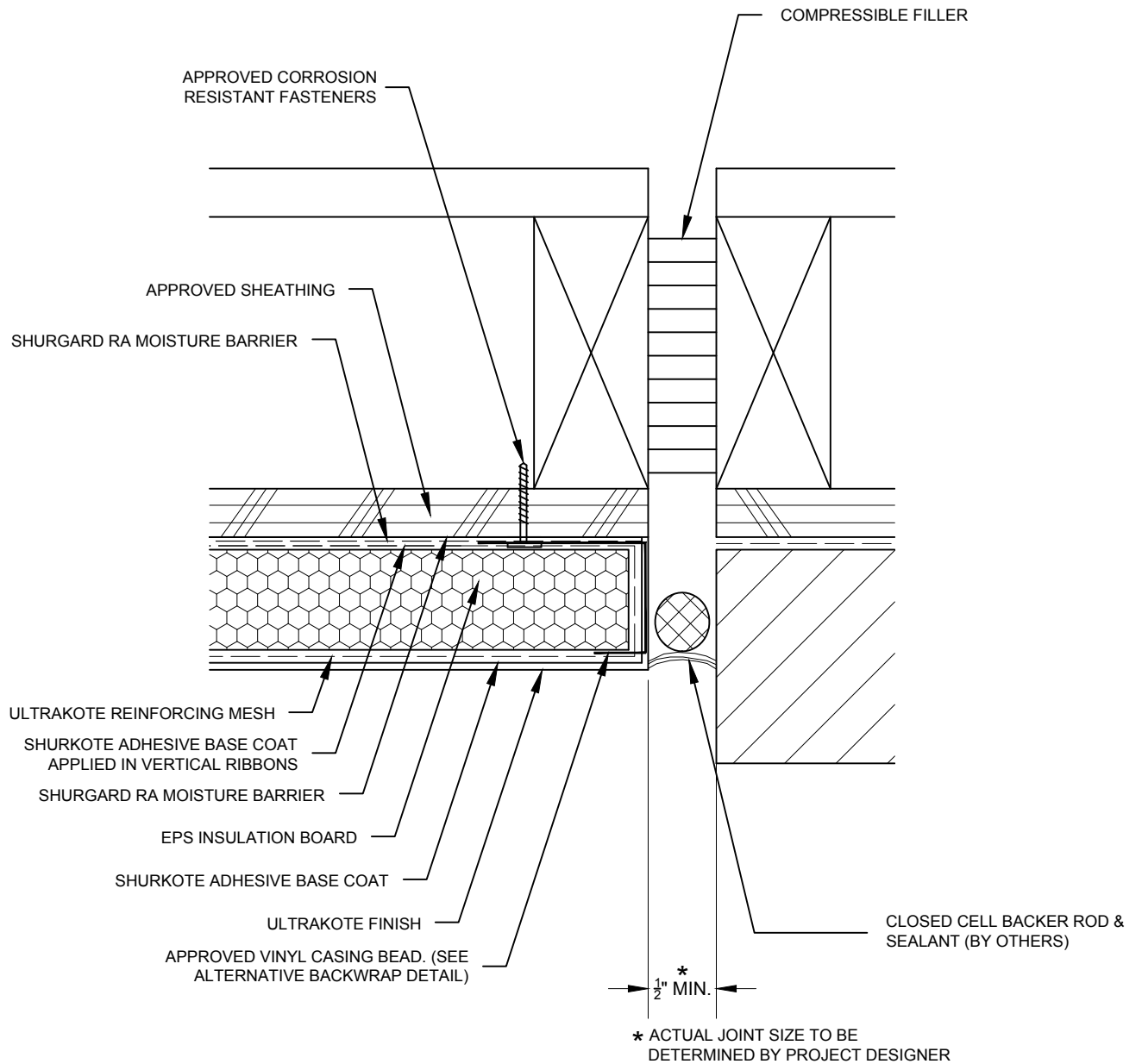
1. DECORATIVE BAND SHALL BE PRE-WRAPPED WITH BASE COAT AND REINFORCING MESH PRIOR TO INSTALLATION.
2. MAINTAIN  $\frac{1}{8}$ " SPACE BETWEEN BEVELED INSULATION AND WEEP CASING BEAD
3. AT HORIZONTAL WALL SURFACES, INCLUDING LEDGES, CAPS, SILLS, ECT., A MINIMUM SLOPE OF 6:12" IS REQUIRED.

# BUILDING EXPANSION JOINT



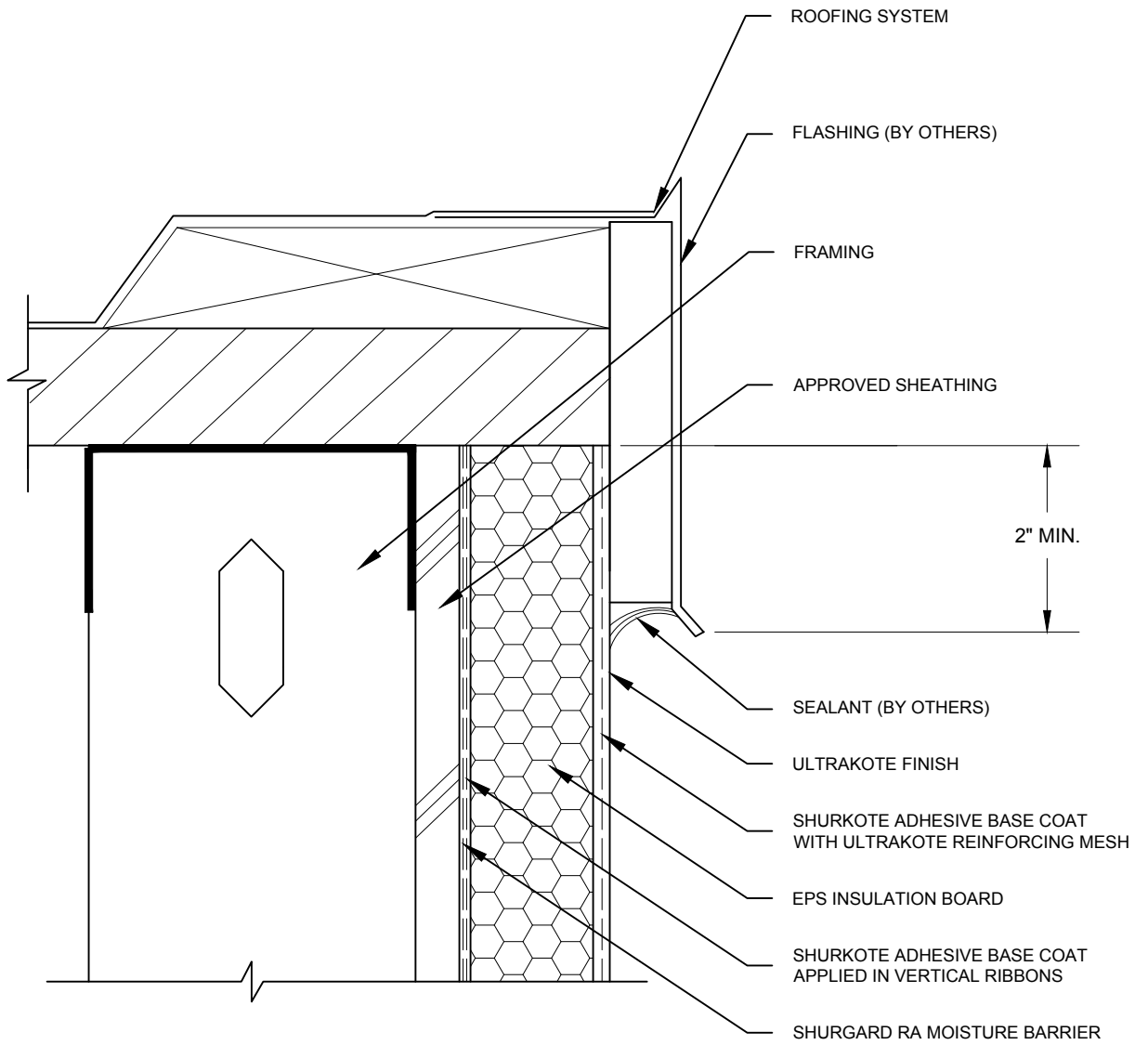
# TYPICAL EXPANSION JOINT AT DISSIMILAR MATERIALS

WM-RA 3.4

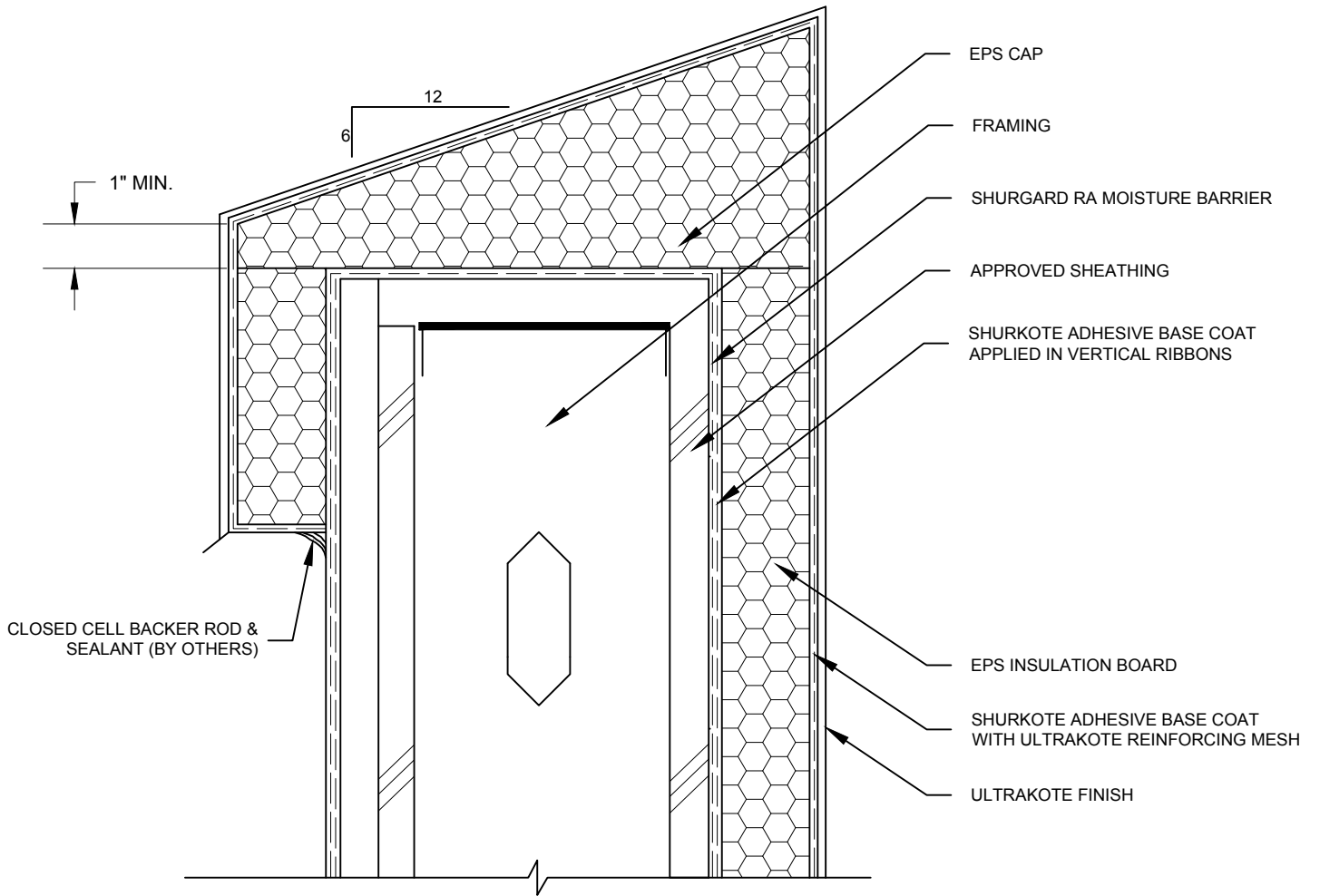


# TYPICAL FLAT ROOF TERMINATION

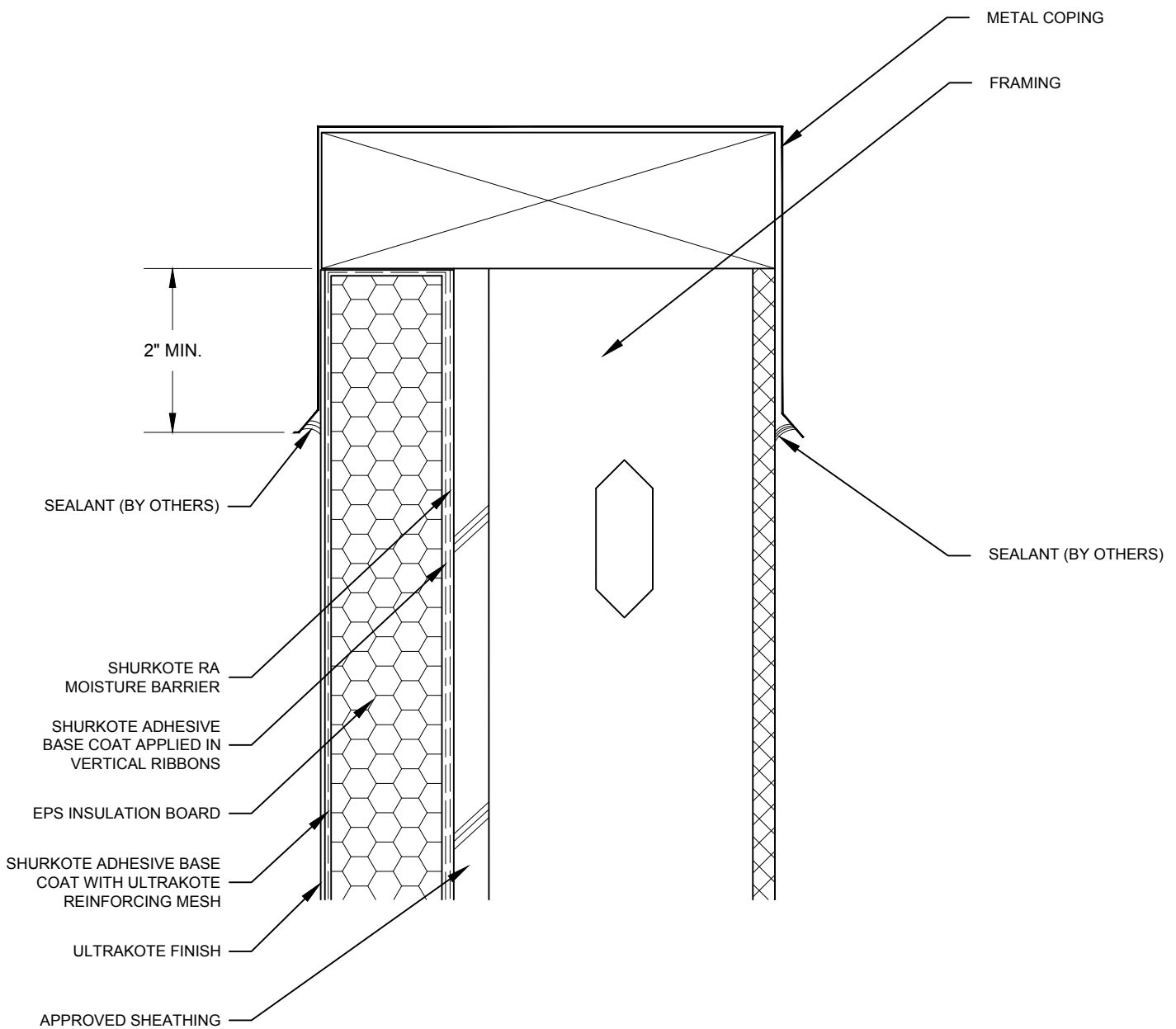
WM-RA 4.1



# TYPICAL EPS FOAM PARAPET CAP

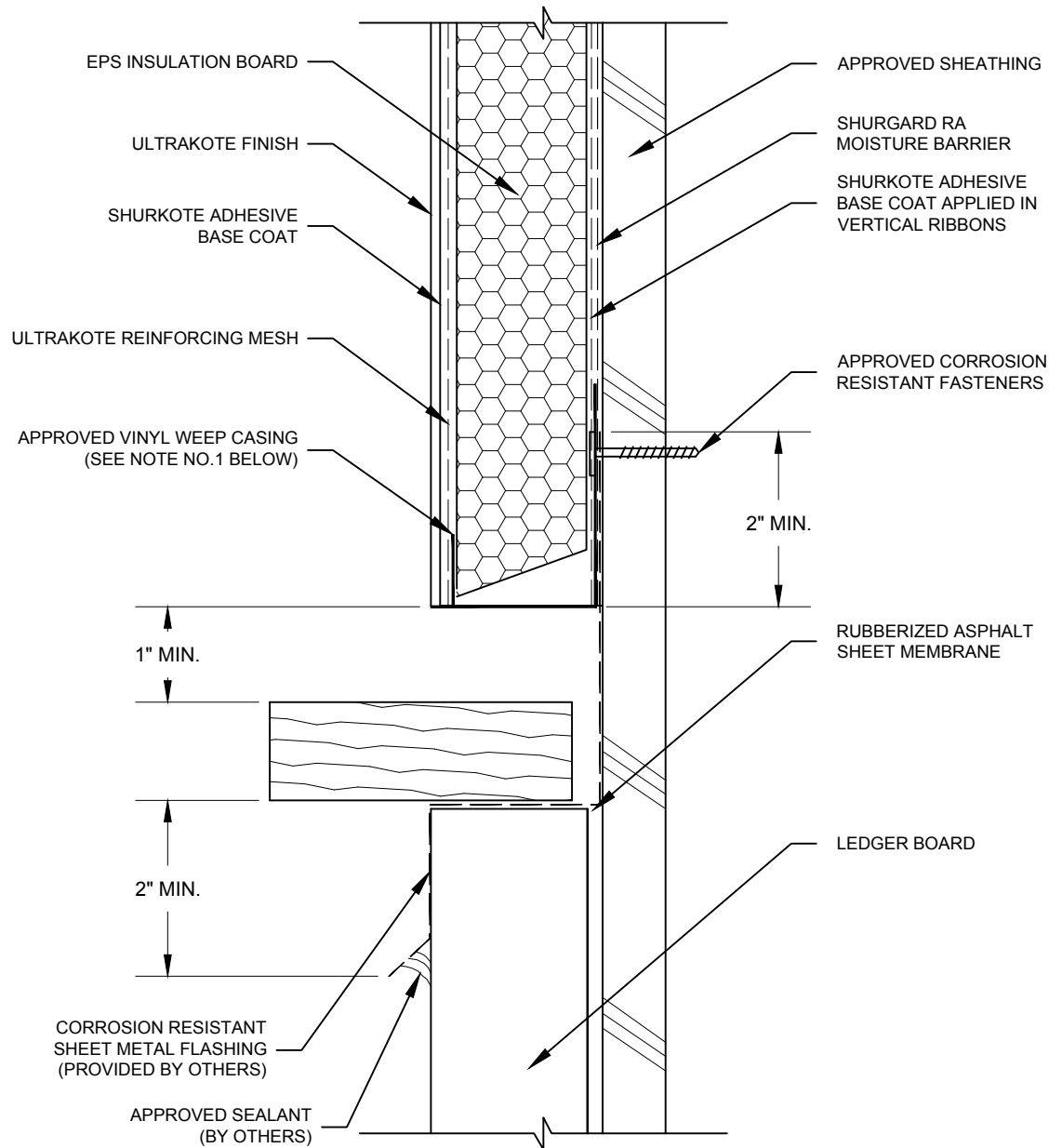


# TYPICAL METAL PARAPET CAP



# TYPICAL TERMINATION AT TOP OF BALCONY

WM-RA 4.4



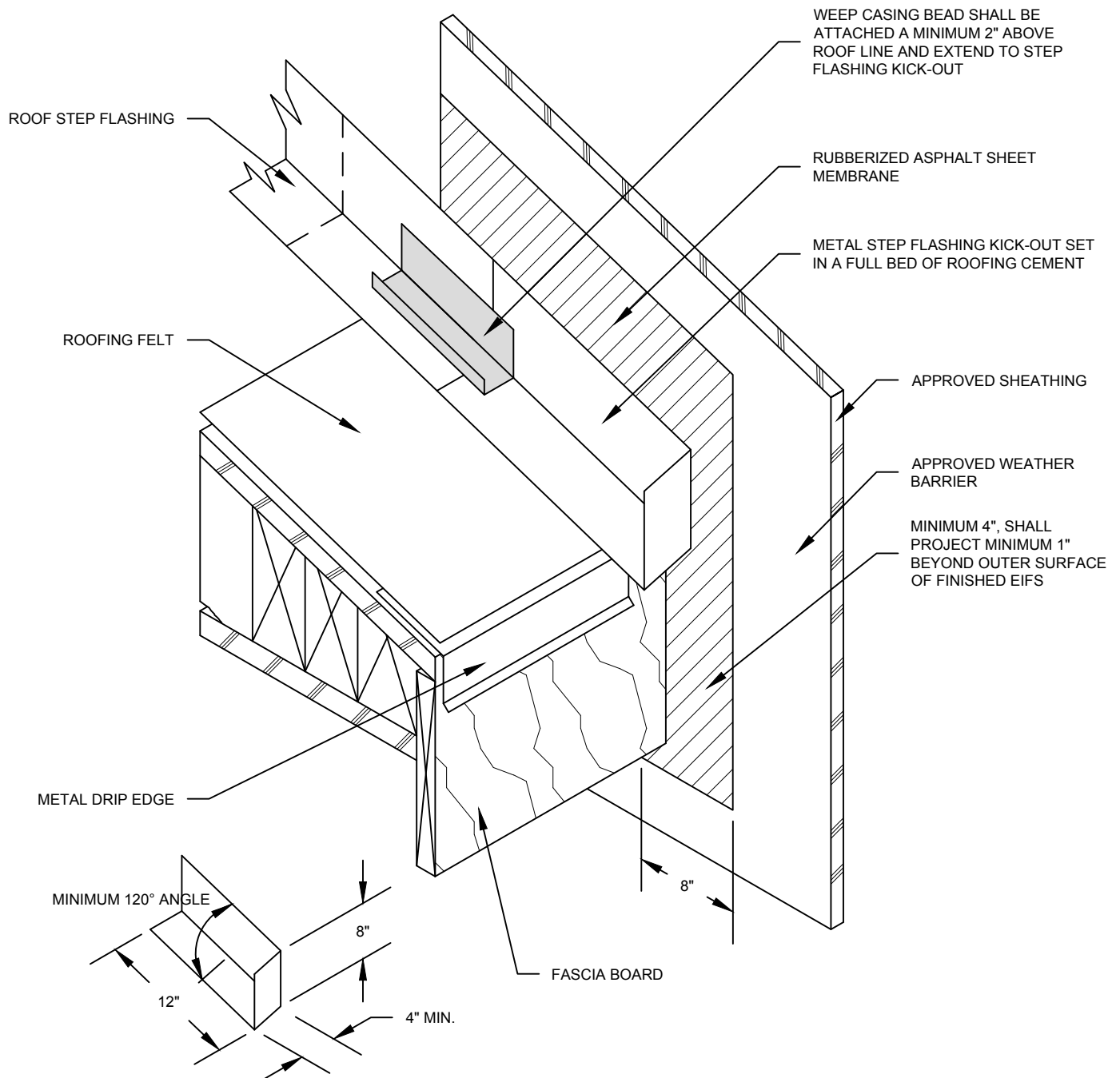
**NOTE:**

1. MAINTAIN  $\frac{1}{8}$ " SPACE BETWEEN BEVELED INSULATION AND WEEP CASING BEAD.
2. ALL LAPS,, SPACES AND CORNERS IN METAL FLASHING SHALL BE MADE PERMANENTLY WATER TIGHT.



# KICK OUT FLASHING AT ROOF / WALL TERMINATION

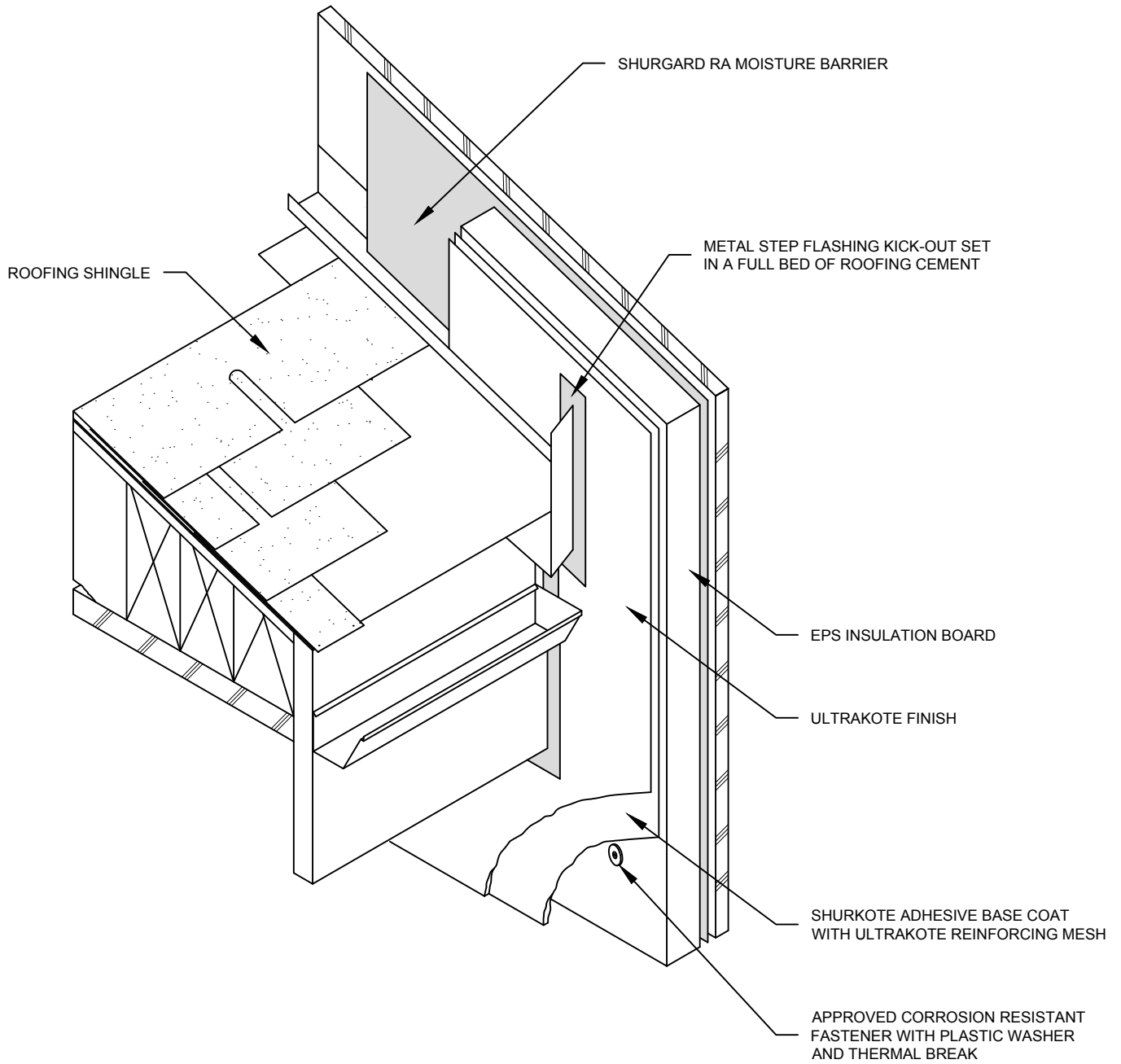
WM-RA 4.5



1. THE 'KICK-OUT' DIVERTER FLASHING MUST BE INSTALLED PRIOR TO INSTALLING THE WATER MANAGED EIFS SYSTEM.
2. DO NOT INSTALL THE OUTER SYSTEM UNTIL THE WATER MANAGED EIFS SYSTEM HAS BEEN COMPLETED.

# COMPLETED KICK OUT FLASHING AT ROOF / WALL TERMINATION

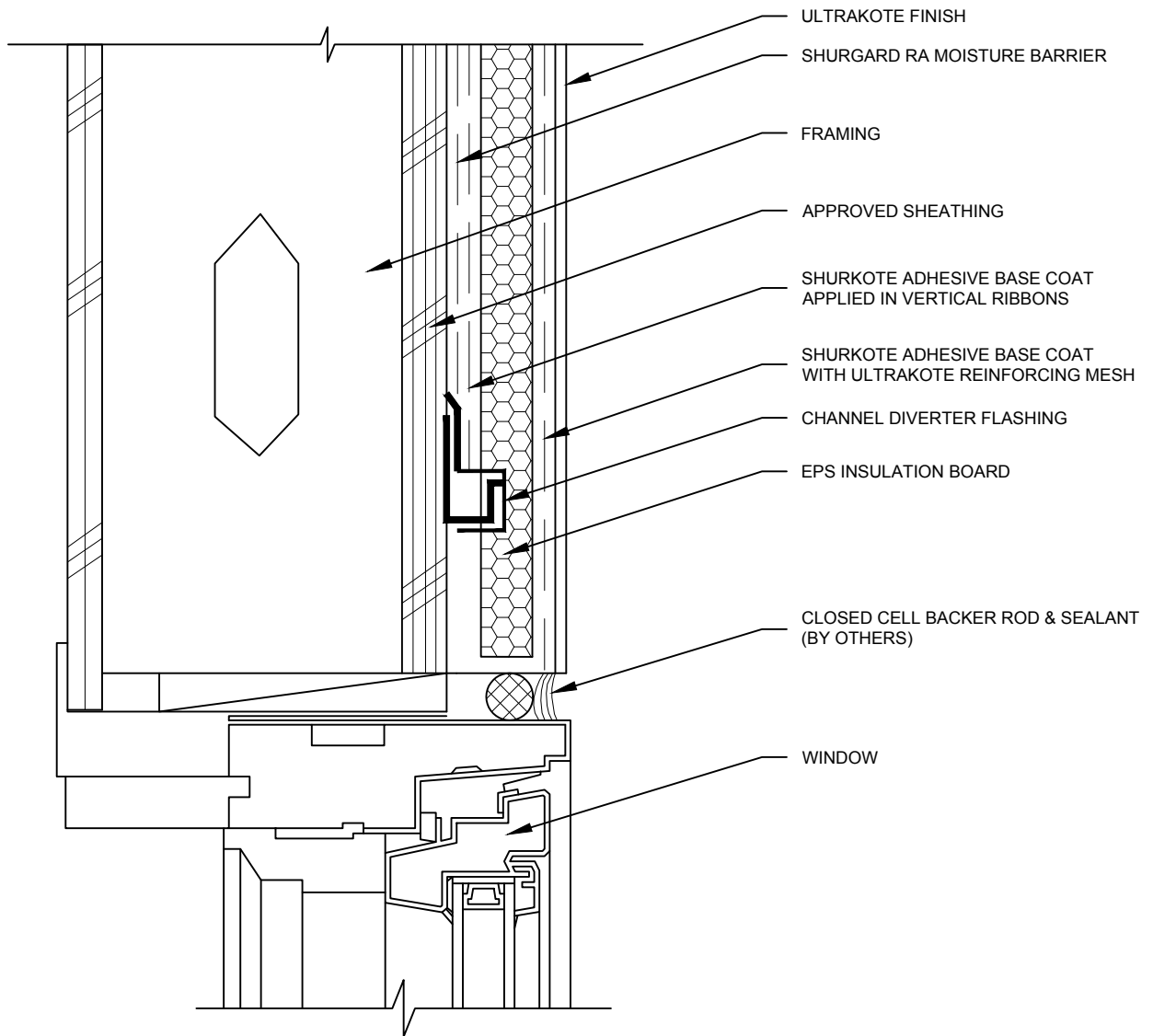
WM-RA 4.6



DO NOT INSTALL THE GUTTER SYSTEM UNTIL THE WM-RA EIFS SYSTEM HAS BEEN COMPLETED

# EMBEDDED CHANNEL DIVERTER FLASHING

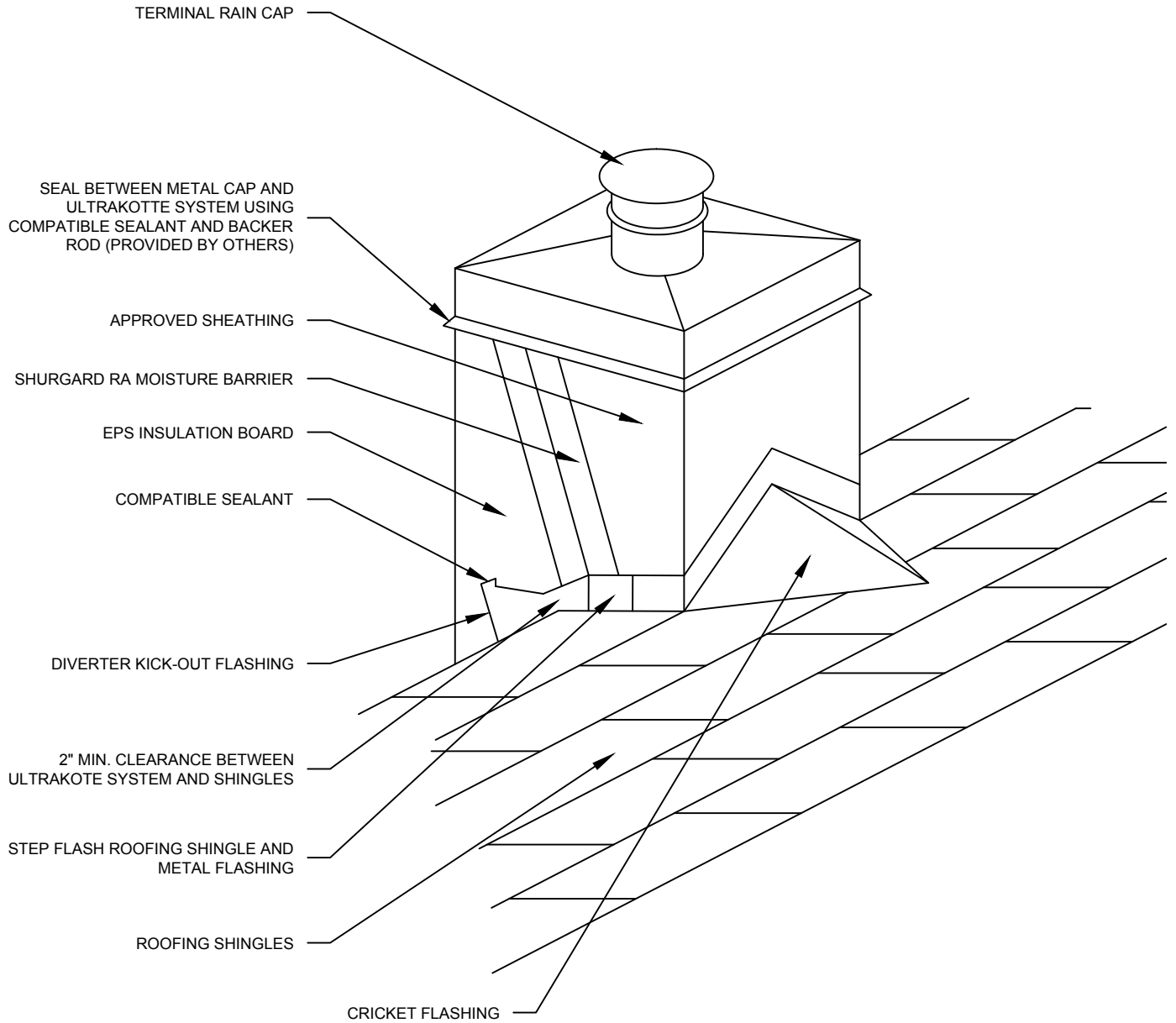
WM-RA 4.7



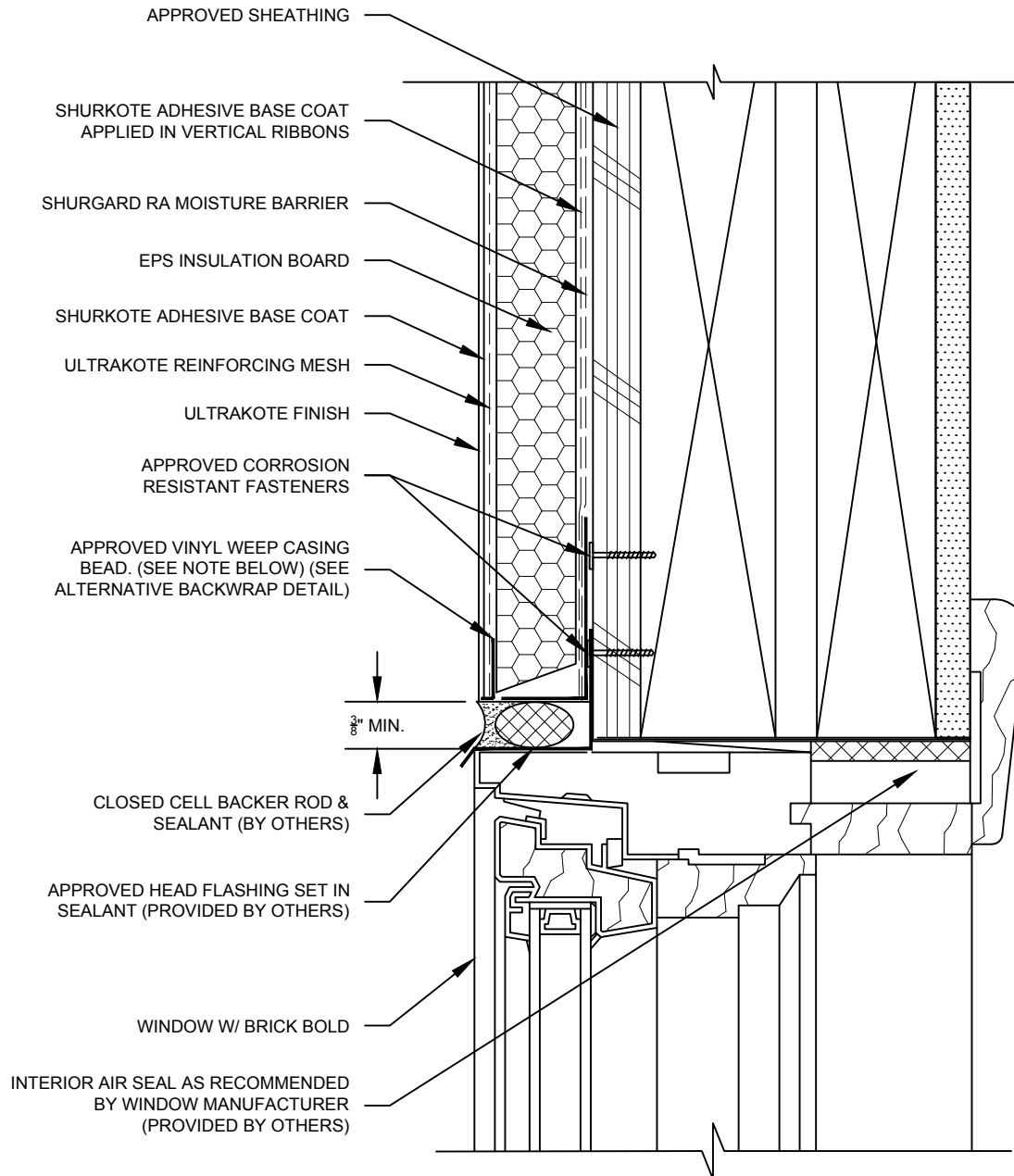
**NOTE:**

ENSURE THE DIVERTER FLASHING EXTENDS 6 INCHES BEYOND OPENING ON EITHER SIDE OF THE OPENING TO ALLOW POTENTIAL MOISTURE TO DRAIN DOWN THE WALL TO THE SIDE OF THE OPENING. MAINTAIN A MINIMUM OF  $\frac{1}{4}$ " EPS INSULATION THICKNESS, ENSURE THE DIVERTER FLASHING HAS POSITIVE SLOPE TO PROVIDE A MEANS FOR DRAINAGE.

# TYPICAL CHIMNEY ENCLOSURE



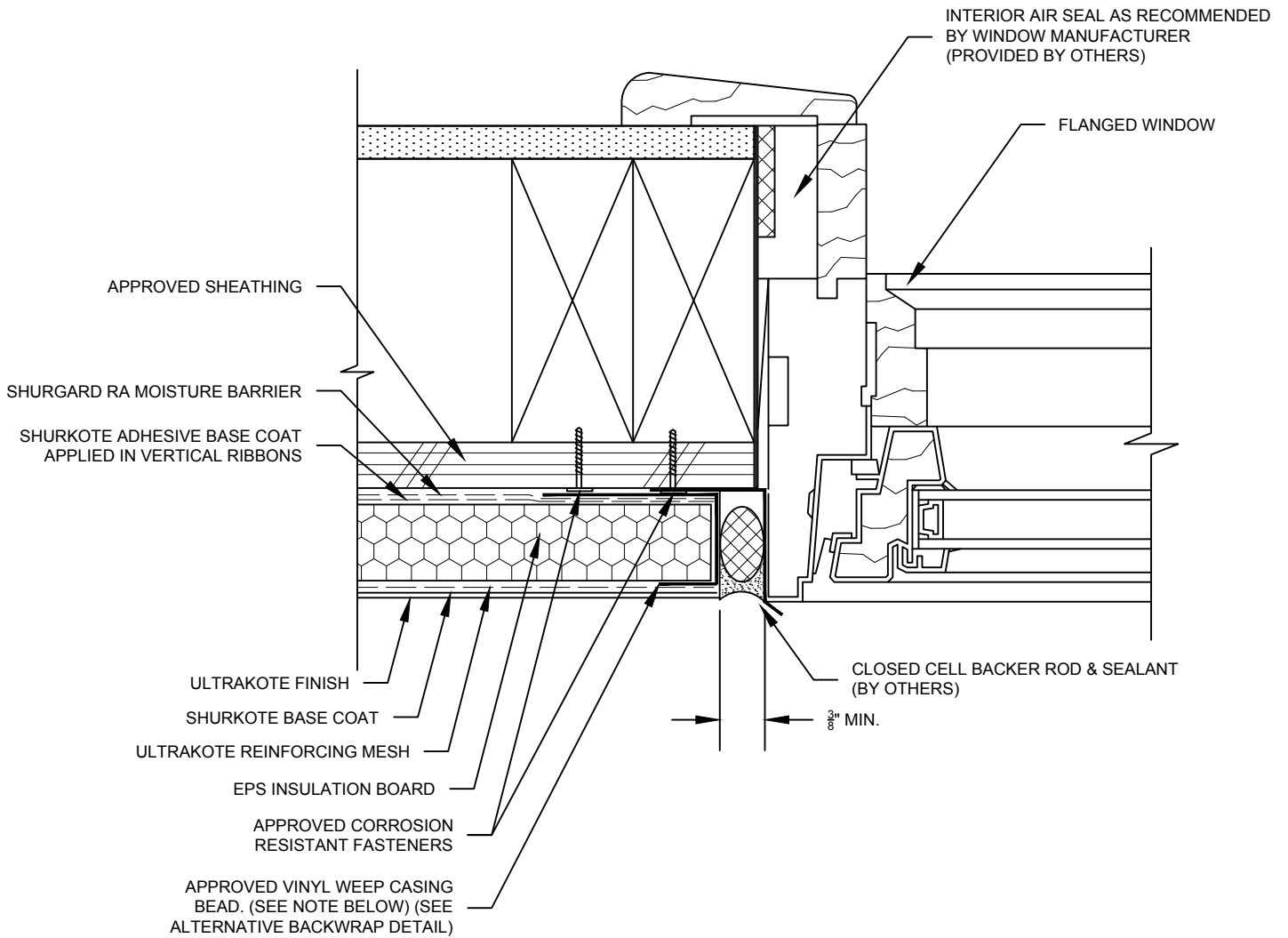
# TYPICAL WINDOW HEAD - BRICK MOLD



NOTE: MAINTAIN  $\frac{1}{8}$ " SPACE BETWEEN BEVELED INSULATION AND WEEP CASING BEAD.

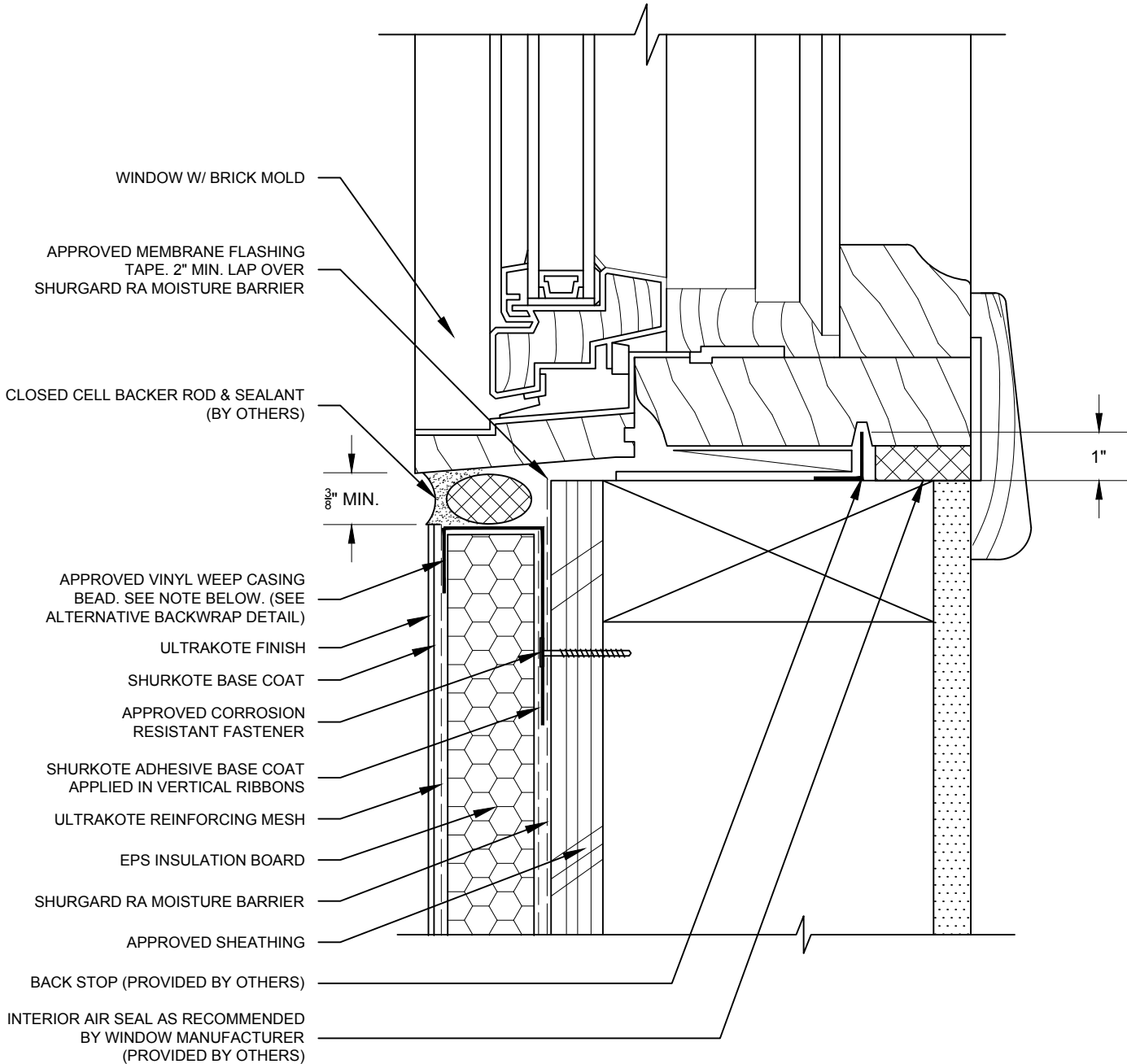
# TYPICAL WINDOW JAMB - BRICK MOLD

WM-RA 5.2



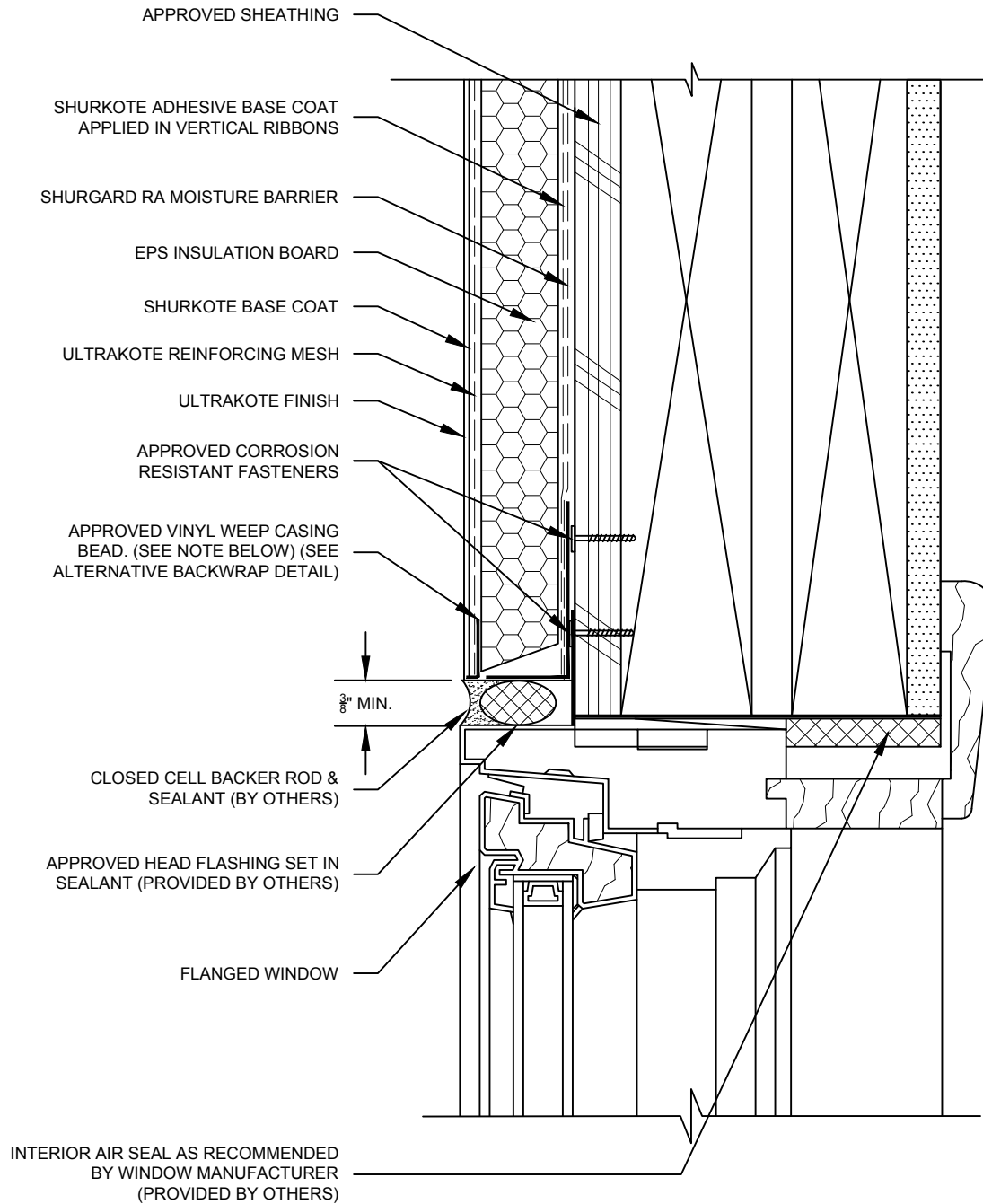
NOTE: MAINTAIN  $\frac{1}{8}$ " SPACE BETWEEN BEVELED INSULATION AND WEEP CASING BEAD.

# TYPICAL WINDOW SILL - BRICK MOLD



NOTE: MAINTAIN  $\frac{1}{8}$ " SPACE BETWEEN BEVELED INSULATION AND WEEP CASING BEAD.

# TYPICAL WINDOW HEAD - FLANGED WINDOW

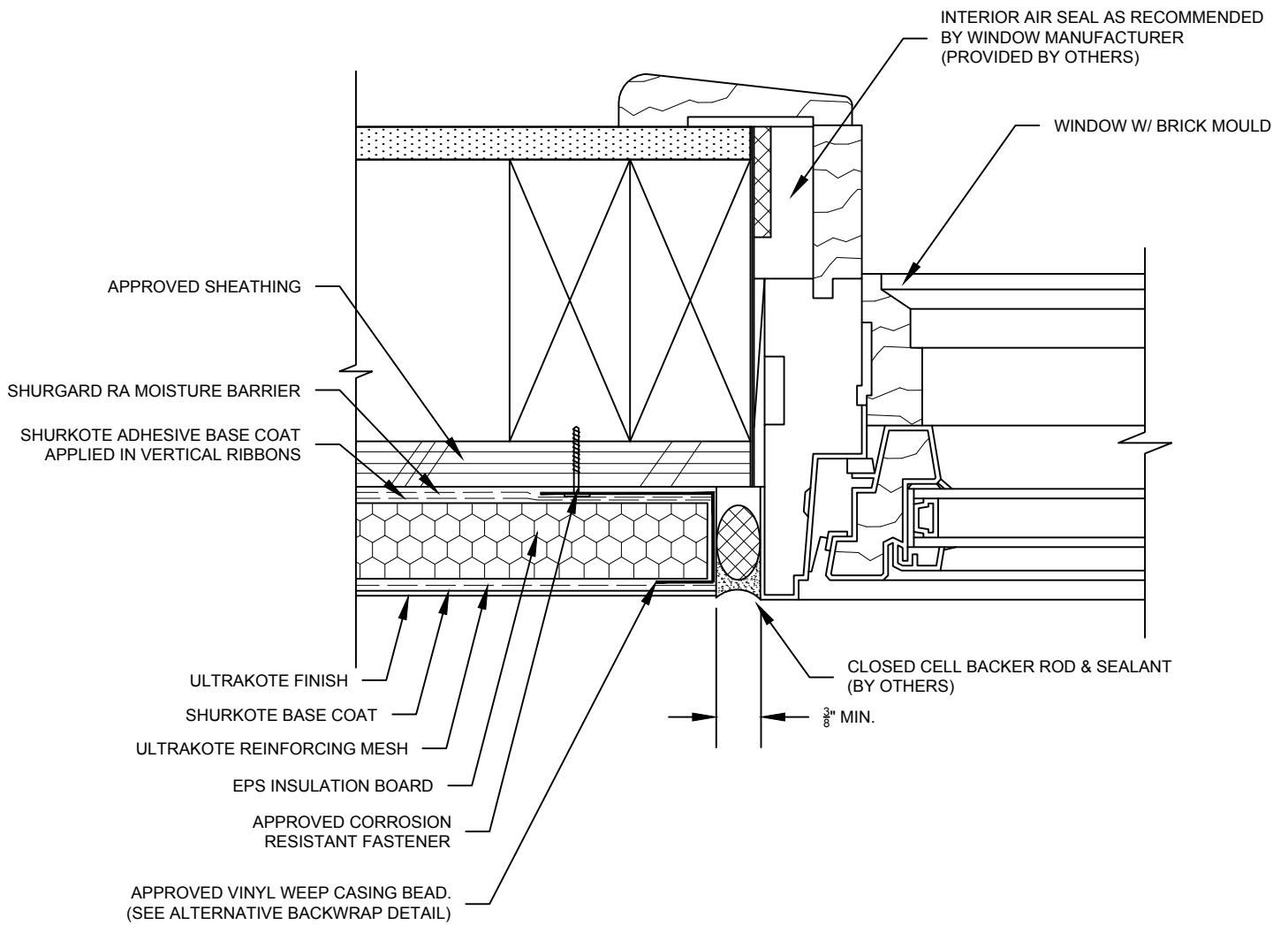


NOTE: MAINTAIN 1/8" SPACE BETWEEN BEVELED INSULATION AND WEEP CASING BEAD.

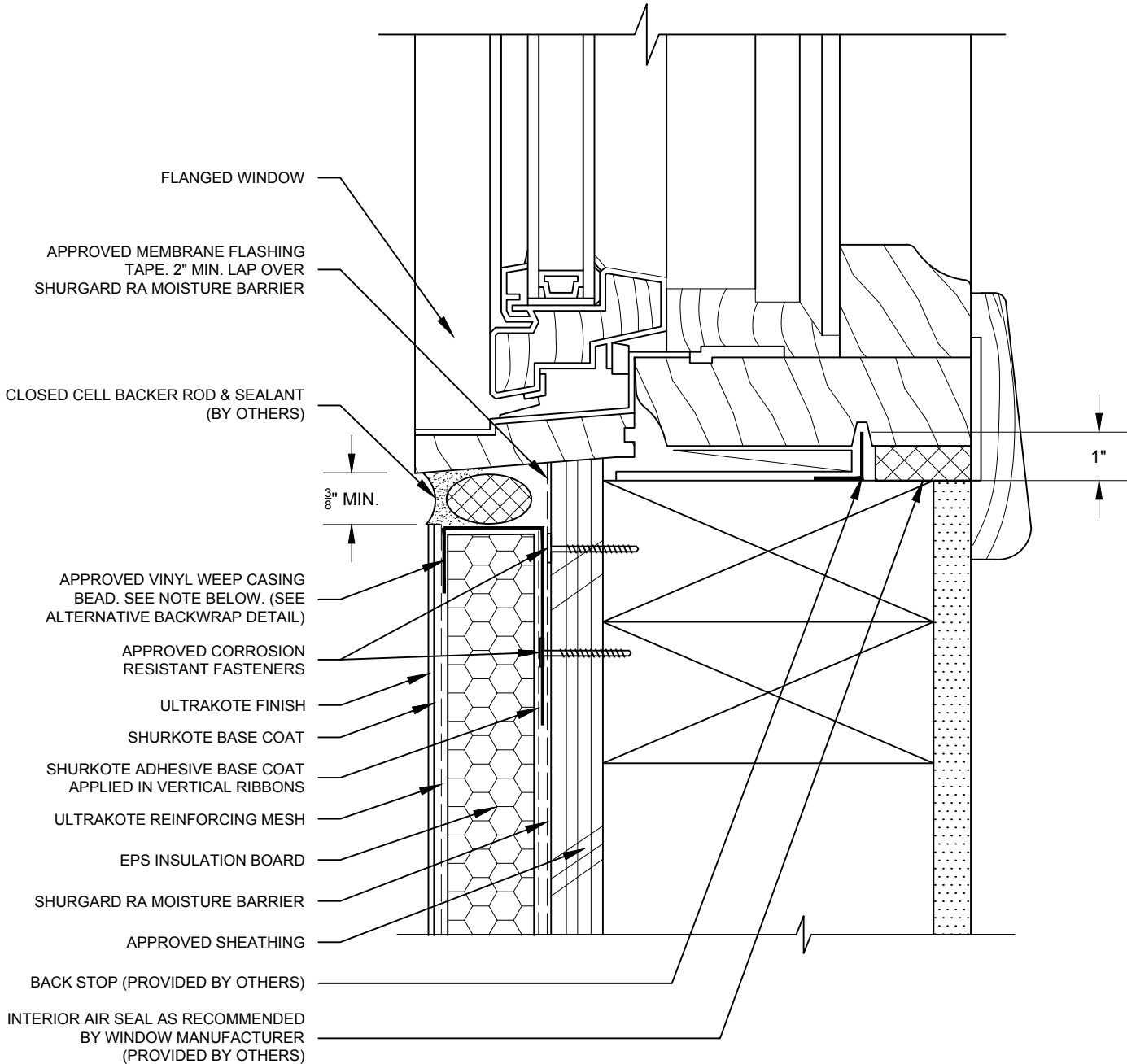


# TYPICAL WINDOW JAMB - FLANGED WINDOW

WM-RA 5.5

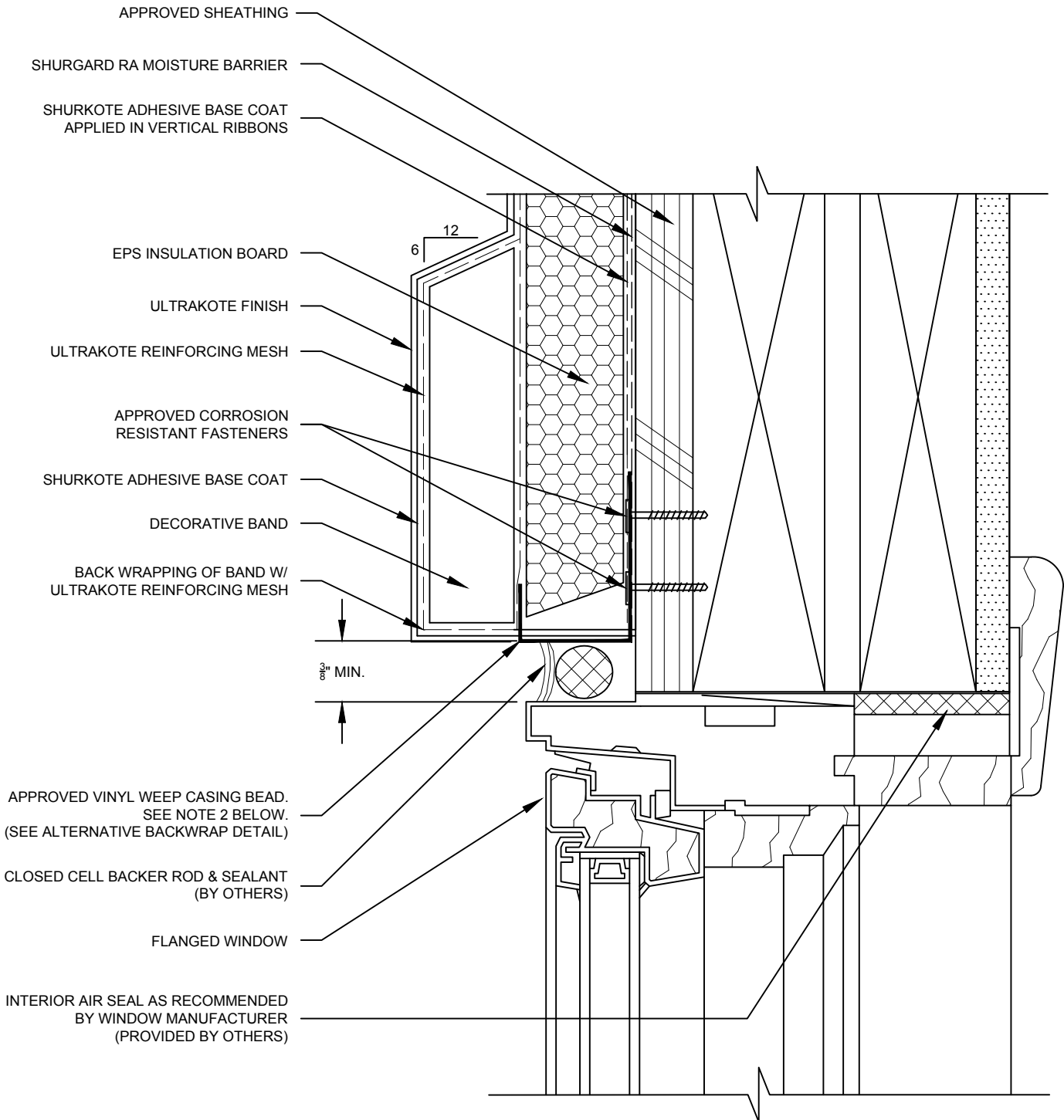


# TYPICAL WINDOW SILL - FLANGED WINDOW



NOTE: MAINTAIN  $\frac{1}{8}$ " SPACE BETWEEN BEVELED INSULATION AND WEEP CASING BEAD.

# TYPICAL WINDOW HEAD - FLANGED WINDOW WITH BAND

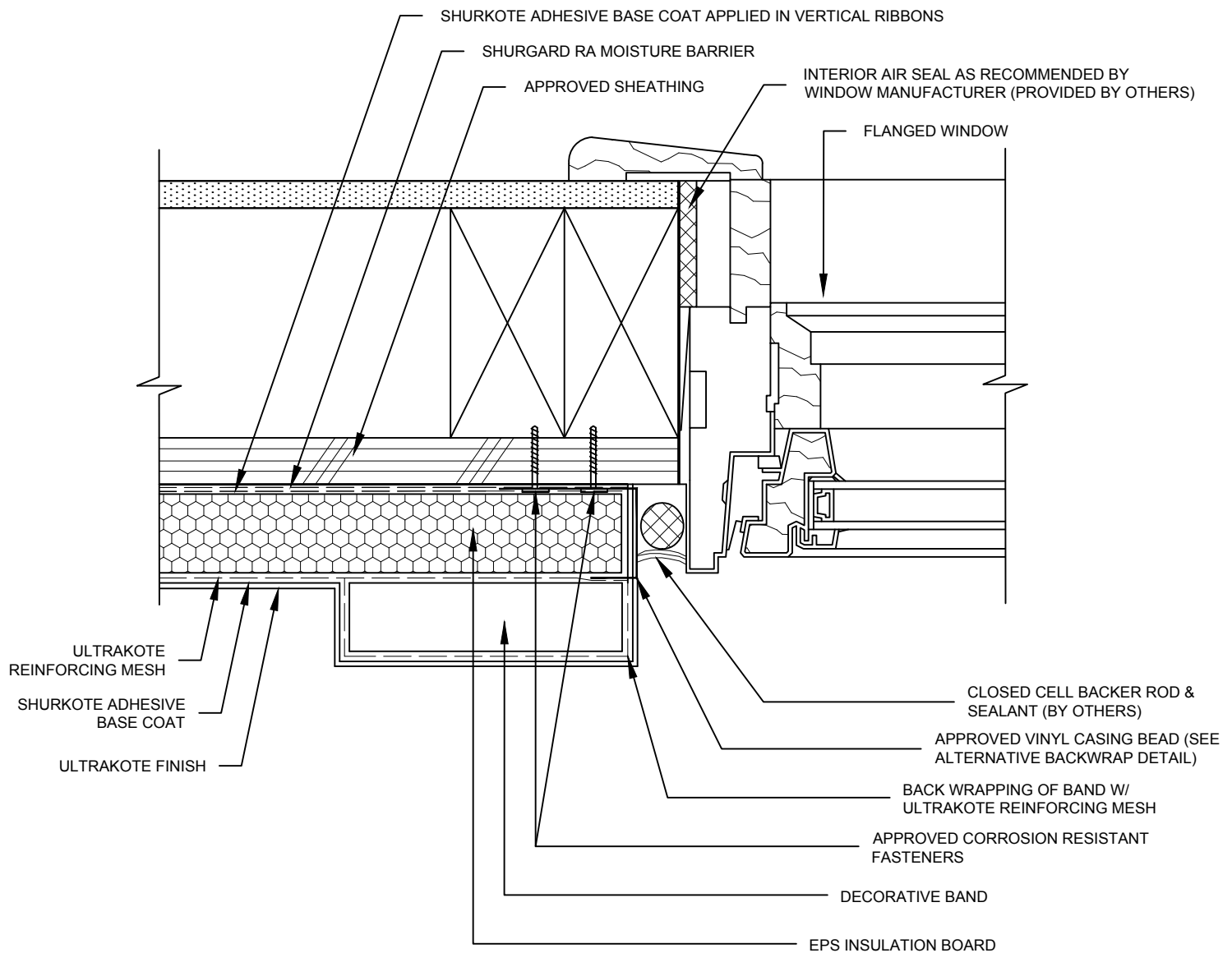


**NOTE:**

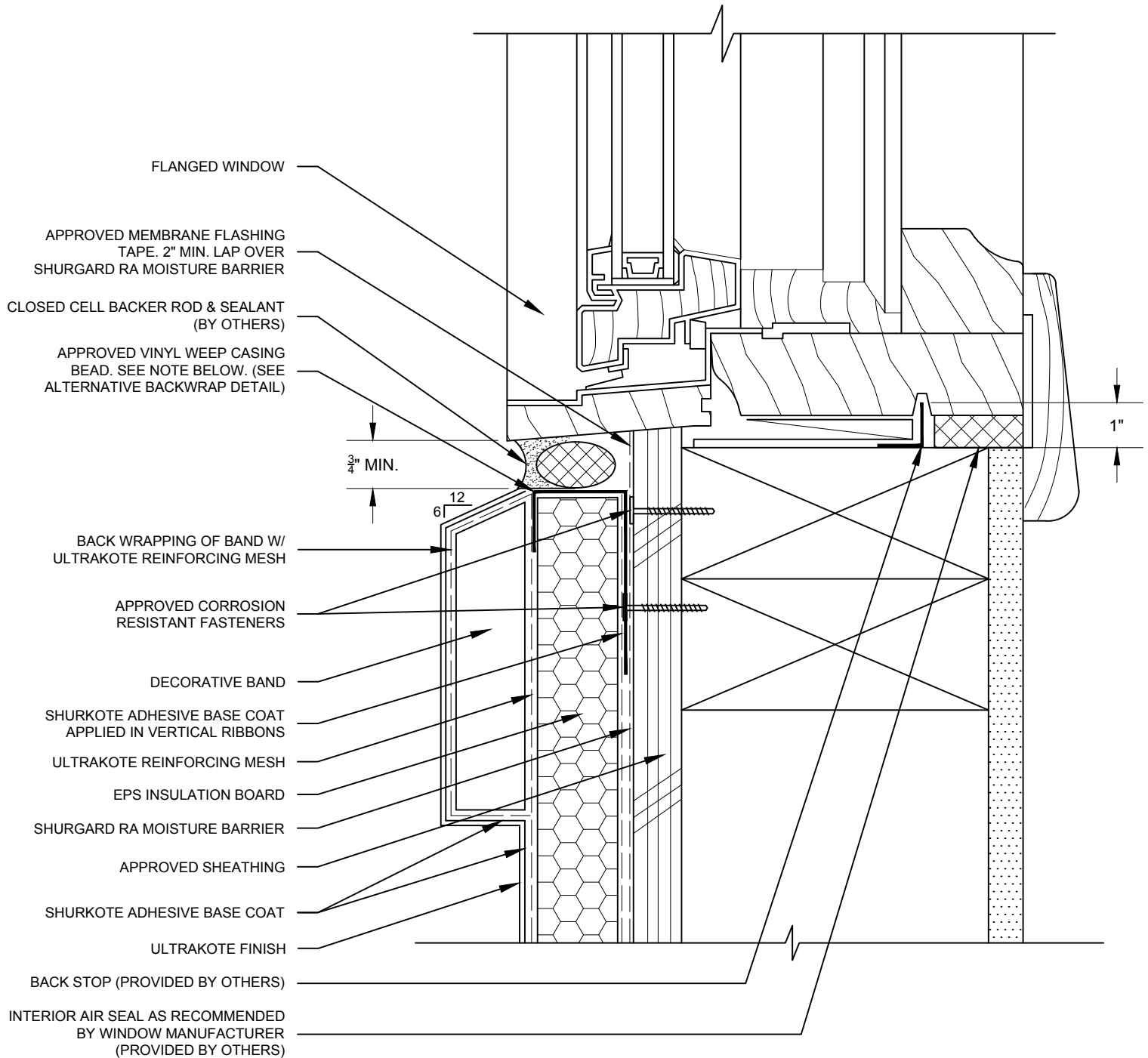
1. MAINTAIN  $\frac{1}{8}$ " SPACE BETWEEN BEVELED INSULATION AND WEEP CASING BEAD.
2. AT HORIZONTAL WALL SURFACES, INCLUDING LEDGES, CAPS, SILLS, ETC., A MINIMUM SLOPE OF 6 INCHES IN 12 INCHES IS REQUIRED.

# TYPICAL WINDOW JAMB - FLANGED WINDOW WITH BAND

WM-RA 5.8



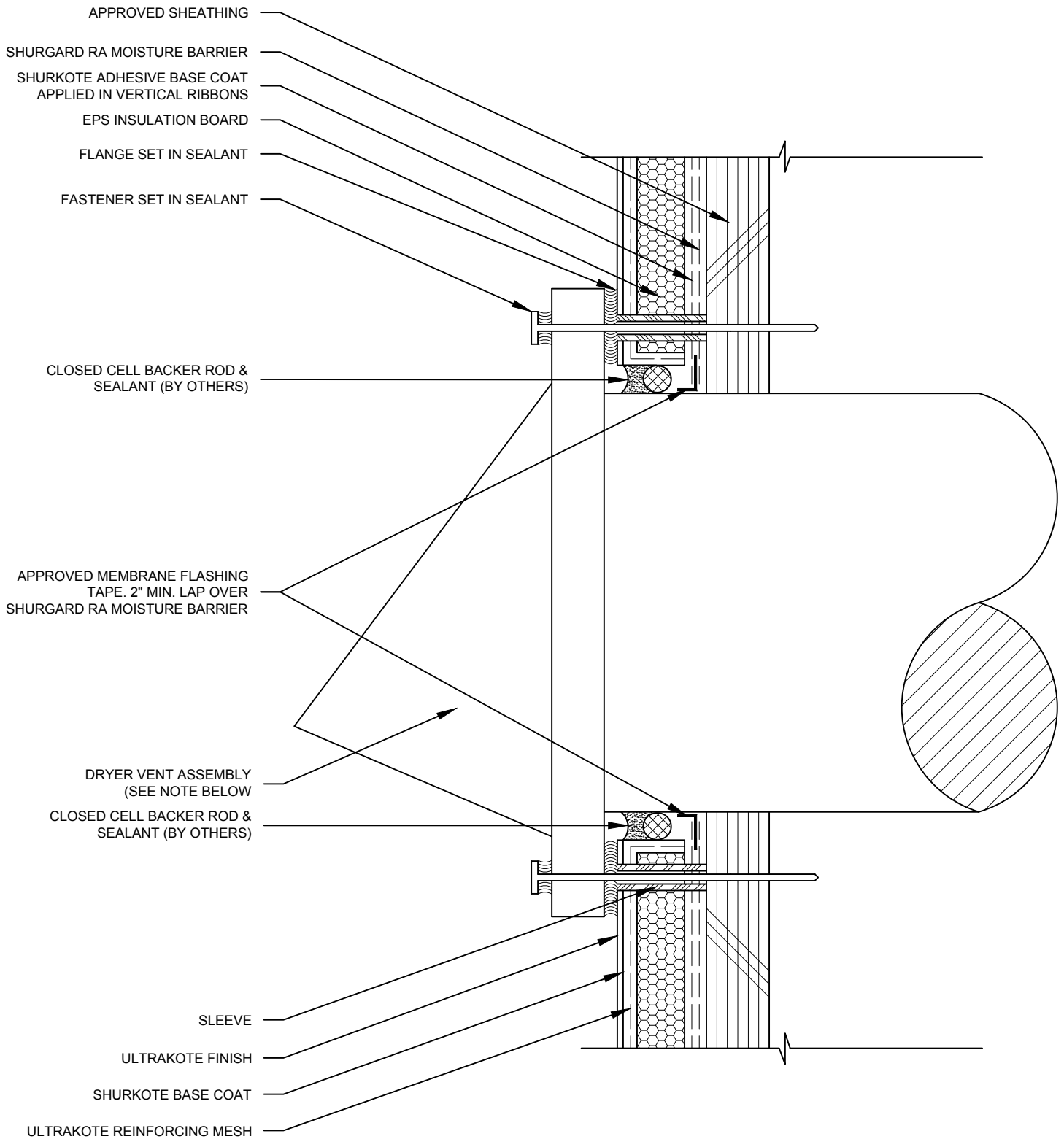
# TYPICAL WINDOW SILL - FLANGED WINDOW WITH BAND



NOTE: AT HORIZONTAL WALL SURFACES, INCLUDING LEDGES, CAPS, SILLS, ETC., A MINIMUM SLOPE OF 6 INCHES IN 12 INCHES IS REQUIRED

# TYPICAL DRYER VENT

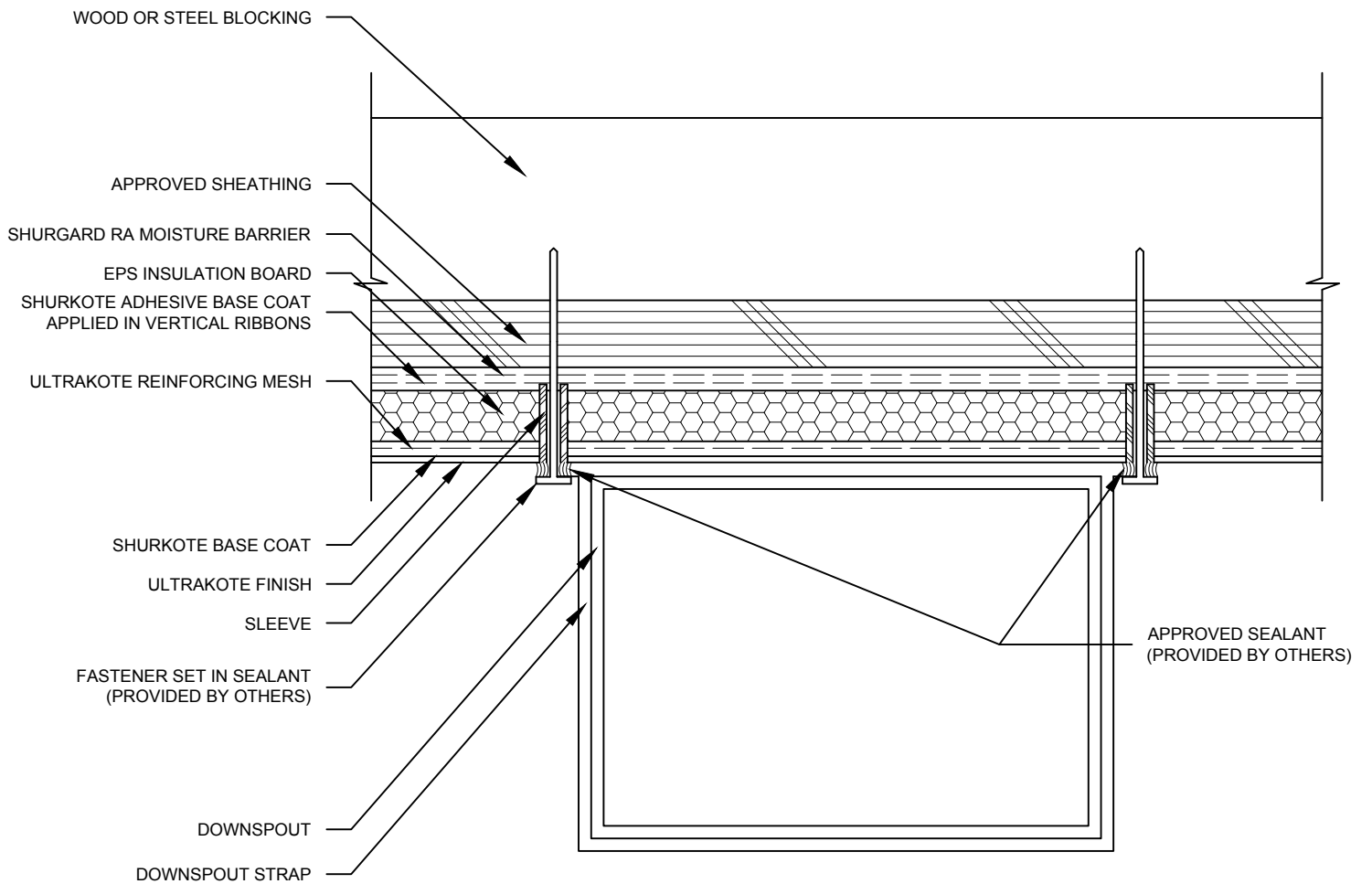
WM-RA 6.1



NOTE: DRYER VENT ASSEMBLY MUST B E SUPPLIED AS TWO INDEPENDENT PARTS. SHEET METAL DUCT MUST BE INSTALLED PRIOR TO EIFS INSTALLATION TO INSTALL MEMBRANE FLASHING. TAPE SEAL BACKER ROD AND SEALANT TO BE APPLIED PRIOR TO DRYER VENT COVER ATTACHMENT.

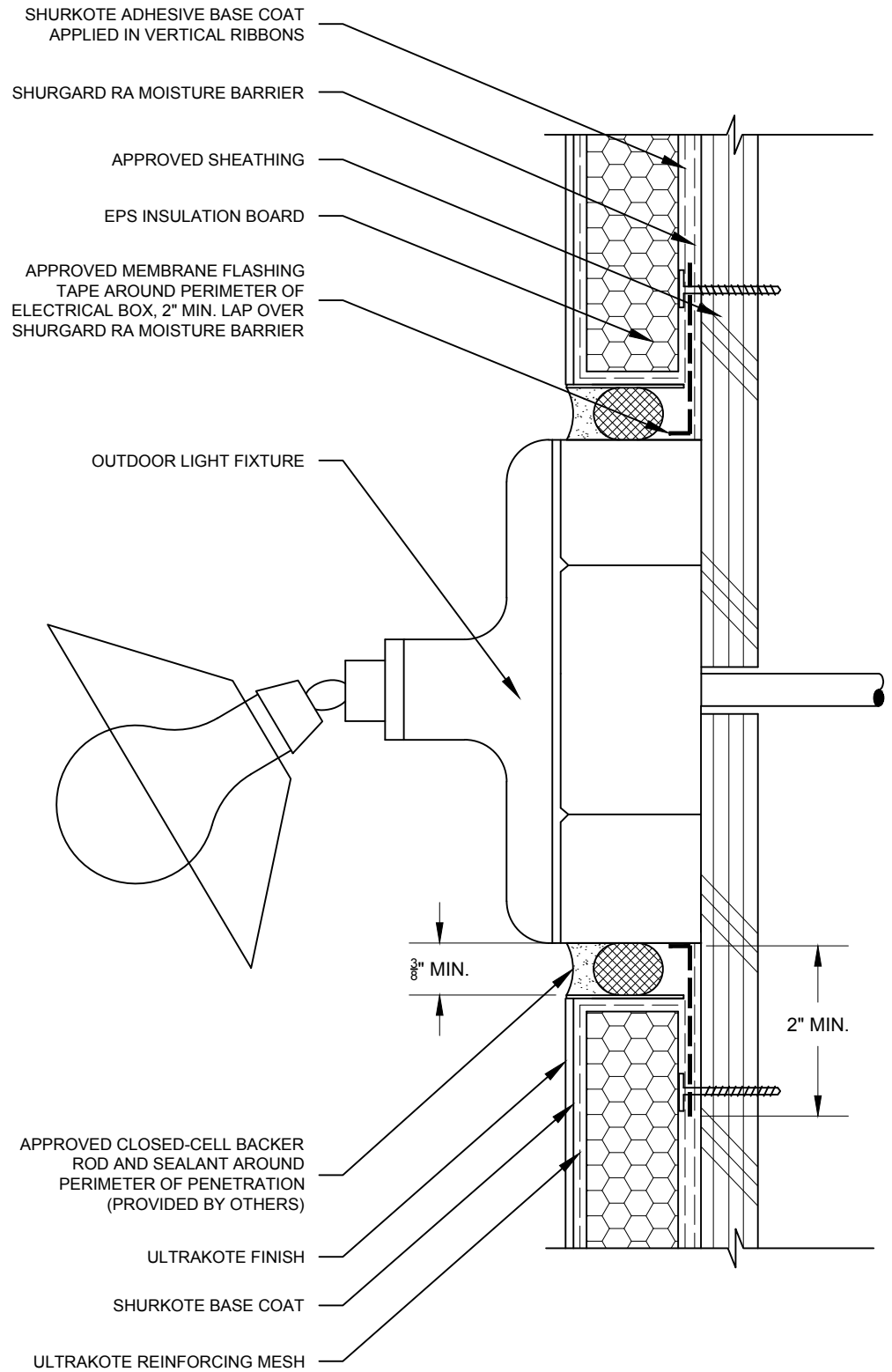
# TYPICAL DOWNSPOUT ATTACHMENT

WM-RA 6.2



# TYPICAL ELECTRICAL BOX PENETRATION

WM-RA 6.3





# TYPICAL HOSE BIB OR PIPE PENETRATION

